

## BOUNDED TOEPLITZ PRODUCTS ON WEIGHTED BERGMAN SPACES

KAREL STROETHOFF and DECHAO ZHENG

*Communicated by Kenneth R. Davidson*

ABSTRACT. We consider the question for which square integrable analytic functions  $f$  and  $g$  on the unit disk the densely defined products  $T_f T_{\bar{g}}$  are bounded on the Bergman space. We prove results analogous to those we obtained in the setting of the unweighted Bergman space [17]. We will furthermore completely describe when the Toeplitz product  $T_f T_{\bar{g}}$  is invertible or Fredholm and prove results generalizing those we obtained for the unweighted Bergman space in [18].

KEYWORDS: *Toeplitz operator, weighted Bergman spaces, unit disk, Berezin transform, bounded, invertible, and Fredholm operators.*

MSC (2000): Primary 47B35, 47B47.

### 1. INTRODUCTION

The Bergman space  $A_\alpha^2$  is the space of analytic functions on  $\mathbb{D}$  which are square-integrable with respect to the measure  $dA_\alpha(z) = (\alpha + 1)(1 - |z|^2)^\alpha dA(z)$ , where  $dA$  denotes normalized Lebesgue area measure on  $\mathbb{D}$ . The reproducing kernel in  $A_\alpha^2$  is given by

$$K_w^{(\alpha)}(z) = \frac{1}{(1 - \bar{w}z)^{2+\alpha}},$$

for  $z, w \in \mathbb{D}$ . If  $\langle \cdot, \cdot \rangle_\alpha$  denotes the inner product in  $L^2(\mathbb{D}, dA_\alpha)$ , then  $\langle h, K_w^{(\alpha)} \rangle_\alpha = h(w)$ , for every  $h \in A_\alpha^2$  and  $w \in \mathbb{D}$ . The orthogonal projection  $P_\alpha$  of  $L^2(\mathbb{D}, dA_\alpha)$  onto  $A_\alpha^2$  is given by

$$(P_\alpha g)(w) = \langle g, K_w^{(\alpha)} \rangle_\alpha = \int_{\mathbb{D}} g(z) \frac{1}{(1 - \bar{z}w)^{2+\alpha}} dA_\alpha(z),$$

for  $g \in L^2(\mathbb{D}, dA_\alpha)$  and  $w \in \mathbb{D}$ . Given  $f \in L^\infty(\mathbb{D})$ , the Toeplitz operator  $T_f$  is defined on  $A_\alpha^2$  by  $T_f h = P_\alpha(fh)$ . We have

$$(T_f h)(w) = \int_{\mathbb{D}} \frac{f(z)h(z)}{(1 - \bar{z}w)^{2+\alpha}} dA_\alpha(z),$$

for  $h \in A_\alpha^2$  and  $w \in \mathbb{D}$ . Note that the above formula makes sense, and defines a function analytic on  $\mathbb{D}$ , also if  $f \in L^2(\mathbb{D}, dA_\alpha)$ . So, if  $g \in A_\alpha^2$  we define  $T_{\bar{g}}$  by the formula

$$(T_{\bar{g}} h)(w) = \int_{\mathbb{D}} \frac{\overline{g(z)}h(z)}{(1 - \bar{z}w)^{2+\alpha}} dA_\alpha(z),$$

for  $h \in A_\alpha^2$  and  $w \in \mathbb{D}$ . If also  $f \in A_\alpha^2$ , then  $T_f T_{\bar{g}} h$  is the analytic function  $f T_{\bar{g}} h$ .

1.1. PROBLEM OF BOUNDEDNESS OF TOEPLITZ PRODUCTS ON  $A_\alpha^2$ . For which  $f$  and  $g$  in  $A_\alpha^2$  is the operator  $T_f T_{\bar{g}}$  bounded on  $A_\alpha^2$ ?

We will first give a necessary condition for boundedness of the Toeplitz product  $T_f T_{\bar{g}}$ , and then show that this condition is very close to being sufficient.

To formulate a necessary condition, we need to define the (weighted) Berezin transform: for a function  $u \in L^1(\mathbb{D}, dA_\alpha)$ , the Berezin transform  $B_\alpha[u]$  is the function on  $\mathbb{D}$  defined by

$$B_\alpha[u](w) = \int_{\mathbb{D}} u(z) \frac{(1 - |w|^2)^{2+\alpha}}{|1 - \bar{w}z|^{4+2\alpha}} dA_\alpha(z).$$

The following result gives a necessary condition for the Toeplitz product to be bounded.

**THEOREM 1.1.** *Let  $-1 < \alpha < \infty$ , and let  $f$  and  $g$  be in  $A_\alpha^2$ . If  $T_f T_{\bar{g}}$  is bounded on  $A_\alpha^2$ , then*

$$\sup_{w \in \mathbb{D}} B_\alpha[|f|^2](w) B_\alpha[|g|^2](w) < \infty.$$

The following result gives a sufficient condition for the Toeplitz product to be bounded close to the above necessary condition.

**THEOREM 1.2.** *Let  $\varepsilon > 0$ ,  $-1 < \alpha < \infty$ , and let  $f$  and  $g$  be in  $A_\alpha^2$ . If*

$$\sup_{w \in \mathbb{D}} B_\alpha[|f|^{2+\varepsilon}](w) B_\alpha[|g|^{2+\varepsilon}](w) < \infty,$$

*then the Toeplitz product  $T_f T_{\bar{g}}$  is bounded on  $A_\alpha^2$ .*

Note that in the limiting case  $\alpha \downarrow -1$  these transforms correspond to

$$\int_0^{2\pi} u(e^{i\theta}) \frac{1 - |w|^2}{|1 - \bar{w}e^{i\theta}|^2} \frac{d\theta}{2\pi} = \hat{u}(w),$$

the Poisson extension of  $u$  on  $\mathbb{D}$ , as the Hardy space  $H^2$  can be regarded as the limiting case of the weighted Bergman spaces  $A_\alpha^2$  (see [22]). It is well-known that a Toeplitz operator on  $H^2$  is bounded if and only if its symbol is bounded on the unit circle  $\partial\mathbb{D}$ . Sarason [10], [11] found examples of  $f$  and  $g$  in  $H^2$  such that the product  $T_f T_{\bar{g}}$  is actually a bounded operator on  $H^2$ , though neither  $T_f$  nor  $T_{\bar{g}}$  is bounded. Sarason [12] also conjectured that a necessary and sufficient condition for this product to be bounded is

$$\sup_{w \in \mathbb{D}} \widehat{|f|^2(w)} \widehat{|g|^2(w)} < \infty.$$

Tril proved that the above condition is indeed necessary (see [12]). The second author [20] showed that the stronger condition

$$\sup_{w \in \mathbb{D}} \widehat{|f|^{2+\varepsilon}(w)} \widehat{|g|^{2+\varepsilon}(w)} < \infty,$$

for  $\varepsilon > 0$ , is sufficient for the Toeplitz product  $T_f T_{\bar{g}}$  to be bounded on  $H^2$ .

The above results were proved by the authors for the unweighted case ( $\alpha = 0$ ) in [17]. The proof in [17] does not carry over to the weighted setting without some major adjustments. The proof of the unweighted case of Theorem 2.1 made use of the fact that the reciprocal of the Bergman kernel's norm is a polynomial. This is, however, not the case in the weighted spaces  $A_\alpha^2$ . We will show that the reciprocal of the Bergman kernel's norm is the sum of a polynomial and a power series absolutely convergent on the closure of the unit disk. The proof of the unweighted case of Theorem 2.2 made use of an inner product formula that involved derivatives. This inner product formula is not enough to prove Theorem 2.1, for which we will need inner product formulas involving higher order derivatives.

Cruz-Uribe [3] showed that if  $f$  and  $g$  are outer functions, a necessary and sufficient condition for  $T_f T_{\bar{g}}$  to be bounded and invertible on  $H^2$  is that  $(fg)^{-1}$  is bounded and  $\sup\{\widehat{|f|^2(w)} \widehat{|g|^2(w)} : w \in \mathbb{D}\} < \infty$ . A similar, though different, characterization of bounded invertible Toeplitz products on  $H^2$  with outer symbols was obtained by the second author [20]. Cruz-Uribe's [3] proof relied on a characterization of invertible Toeplitz operators due to Devinatz and Widom, which in turn is closely related to the Helson-Szegö theorem, that characterizes the weights  $\omega$  such that the conjugation operator (or Hilbert transform) is bounded on  $L^2(\partial\mathbb{D}, \omega dm)$ . See Sarason's book [9] for more on these results. On the other hand, the proof in [20] is based on a distribution function inequality.

Following our proof of Theorems 2.1 and 2.2 we will consider the special case that  $g = \frac{1}{f}$ , in which case it will be possible to remove the  $\varepsilon > 0$  in the condition of Theorem 3.1, so that the necessary condition is also sufficient; we will prove the following result.

THEOREM 1.3. *If  $f \in A_\alpha^2$  satisfies the condition*

$$\sup_{w \in \mathbb{D}} B_\alpha[|f|^2](w)B_\alpha[|f|^{-2}](w) < \infty,$$

*then the Toeplitz product  $T_f T_{1/\bar{f}}$  is bounded on  $A_\alpha^2$ .*

We will give applications of this result to describe invertible and Fredholm products  $T_f T_{\bar{g}}$ , for  $f, g \in A_\alpha^2$ . The results extend those we obtained for the unweighted case in [18]. As in [18], we extend the basic techniques of the real-variable theory of weighted norm inequalities [2], [4], [5], [8] and [13] to the weighted Bergman spaces. We make use of dyadic rectangles on the unit disk and dyadic maximal operators. We will show that every dyadic rectangle that has positive distance to the unit circle is always contained in the pseudohyperbolic disk with the same center as the dyadic rectangle and a fixed radius independent of the dyadic rectangle. This observation simplifies the arguments even for the unweighted case.

2. NECESSARY CONDITION FOR BOUNDEDNESS

Suppose  $f$  and  $g$  are in  $L^2(\mathbb{D}, dA_\alpha)$ . Consider the operator  $f \otimes g$  on  $A_\alpha^2$  defined by

$$(f \otimes g)h = \langle h, g \rangle_\alpha f,$$

for  $h \in A_\alpha^2$ . It is easily proved that  $f \otimes g$  is bounded on  $A_\alpha^2$  with norm equal to  $\|f \otimes g\| = \|f\|_\alpha \|g\|_\alpha$ , where  $\|h\|_\alpha$  denotes the norm  $\left(\int_{\mathbb{D}} |h|^2 dA_\alpha\right)^{1/2}$  in  $A_\alpha^2$ .

We will obtain an expression for the operator  $f \otimes g$  in terms of the operators involving the Toeplitz product  $T_f T_{\bar{g}}$ , where  $f, g \in A_\alpha^2$ . This is most easily accomplished by using the Berezin transform, which has been useful in the study of operators on the Bergman space [1] and the Hardy space [15]: writing  $k_w^{(\alpha)}$  for the normalized reproducing kernels in  $A_\alpha^2$ , we define the Berezin transform of a bounded linear operator  $S$  on  $A_\alpha^2$  to be the function  $B_\alpha[S]$  defined on  $\mathbb{D}$  by

$$B_\alpha[S](w) = \langle S k_w^{(\alpha)}, k_w^{(\alpha)} \rangle_\alpha,$$

for  $w \in \mathbb{D}$ . The boundedness of operator  $S$  implies that the function  $B_\alpha[S]$  is bounded on  $\mathbb{D}$ . The Berezin transform is injective, for  $B_\alpha[S](w) = 0$ , for all  $w \in \mathbb{D}$ , implies that  $S = 0$ , the zero operator on  $A_\alpha^2$  (see [14] for a proof). Using the reproducing property of  $K_w^{(\alpha)}$  we have

$$\|K_w^{(\alpha)}\|_\alpha^2 = \langle K_w^{(\alpha)}, K_w^{(\alpha)} \rangle_\alpha = K_w^{(\alpha)}(w) = \frac{1}{(1 - |w|^2)^{2+\alpha}},$$

thus

$$(2.1) \quad k_w^{(\alpha)}(z) = \frac{(1 - |w|^2)^{(2+\alpha)/2}}{(1 - \bar{w}z)^{2+\alpha}},$$

for  $z, w \in \mathbb{D}$ . It follows from (2.1) that

$$B_\alpha[S](w) = (1 - |w|^2)^{2+\alpha} \langle SK_w^{(\alpha)}, K_w^{(\alpha)} \rangle_\alpha,$$

for  $w \in \mathbb{D}$ . It is easily seen that  $T_{\bar{g}}K_w^{(\alpha)} = \overline{g(w)}K_w^{(\alpha)}$ . Thus  $\langle T_f T_{\bar{g}}K_w^{(\alpha)}, K_w^{(\alpha)} \rangle_\alpha = \langle T_{\bar{g}}K_w^{(\alpha)}, T_{\bar{f}}K_w^{(\alpha)} \rangle_\alpha = \langle \overline{g(w)}K_w^{(\alpha)}, \overline{f(w)}K_w^{(\alpha)} \rangle_\alpha = f(w)\overline{g(w)}\langle K_w^{(\alpha)}, K_w^{(\alpha)} \rangle_\alpha$ , and we see that

$$B_\alpha[T_f T_{\bar{g}}](w) = f(w)\overline{g(w)}.$$

We also have

$$\begin{aligned} B_\alpha[f \otimes g](w) &= (1 - |w|^2)^{2+\alpha} \langle (f \otimes g)K_w^{(\alpha)}, K_w^{(\alpha)} \rangle_\alpha = (1 - |w|^2)^{2+\alpha} \langle \langle K_w^{(\alpha)}, g \rangle_\alpha f, K_w^{(\alpha)} \rangle_\alpha \\ &= (1 - |w|^2)^{2+\alpha} \langle K_w^{(\alpha)}, g \rangle_\alpha \langle f, K_w^{(\alpha)} \rangle_\alpha = (1 - |w|^2)^{2+\alpha} f(w)\overline{g(w)}. \end{aligned}$$

We will use the last formulas to obtain an expression for operator  $f \otimes g$  in terms of the operators involving the Toeplitz product  $T_f T_{\bar{g}}$ , where  $f, g \in A_\alpha^2$ . We need the following lemma, which may be of independent interest. For a real number  $\beta$ , let  $[\beta]$  denote the integer part of  $\beta$  and  $\{\beta\} = \beta - [\beta] \geq 0$ .

LEMMA 2.1. *Suppose that  $\alpha$  is a real number in  $(-1, \infty)$ . The function  $(1 - t)^{2+\alpha}$  has the power series expansion*

$$(1-t)^{2+\alpha} = \sum_{j=0}^{2+[\alpha]} (-1)^j \frac{\Gamma(3+\alpha)}{j!\Gamma(3+\alpha-j)} t^j + (-1)^{1+[\alpha]} \frac{\Gamma(3+\alpha)}{\pi} \frac{\sin(\pi\{\alpha\})}{\sum_{n=0}^{\infty} \frac{\Gamma(n+1-\{\alpha\})}{(3+n+[\alpha])!}} t^{3+n+[\alpha]}.$$

*Proof.* We will show that

$$(1-t)^{-\beta+k} = \sum_{j=0}^{k-1} (-1)^j \frac{\Gamma(-\beta+k+1)}{\Gamma(-\beta+k+1-j)} \frac{t^j}{j!} + (-1)^k \frac{\Gamma(-\beta+k+1)}{\Gamma(\beta)\Gamma(-\beta+1)} \sum_{n=0}^{\infty} \frac{\Gamma(n+\beta)}{(n+k)!} t^{n+k},$$

for  $0 < \beta < 1$  and every positive integer  $k$ . Interpreting the first sum as 0 when  $k = 0$ , this formula is the usual binomial expansion for  $(1 - t)^{-\beta}$ . Assuming the above formula to hold, integration with respect to  $t$  yields

$$\begin{aligned} & \frac{1 - (1-t)^{-\beta+k+1}}{-\beta+k+1} \\ &= \sum_{j=0}^{k-1} (-1)^j \frac{\Gamma(-\beta+k+1)}{\Gamma(-\beta+k+1-j)} \frac{t^{j+1}}{(j+1)!} + (-1)^k \frac{\Gamma(-\beta+k+1)}{\Gamma(\beta)\Gamma(-\beta+1)} \sum_{n=0}^{\infty} \frac{\Gamma(n+\beta)}{(n+k+1)!} t^{n+k+1} \\ &= -\sum_{j=1}^k (-1)^j \frac{\Gamma(-\beta+k+1)}{\Gamma(-\beta+k+2-j)} \frac{t^j}{j!} + (-1)^k \frac{\Gamma(-\beta+k+1)}{\Gamma(\beta)\Gamma(-\beta+1)} \sum_{n=0}^{\infty} \frac{\Gamma(n+\beta)}{(n+k+1)!} t^{n+k+1} \end{aligned}$$

which implies

$$\begin{aligned}
 & 1 - (1 - t)^{-\beta+k+1} \\
 &= -\sum_{j=1}^k (-1)^j \frac{(-\beta+k+1)\Gamma(-\beta+k+1)}{\Gamma(-\beta+k+2-j)} \frac{t^j}{j!} \\
 &\quad + (-1)^k \frac{(-\beta+k+1)\Gamma(-\beta+k+1)}{\Gamma(\beta)\Gamma(-\beta+1)} \sum_{n=0}^{\infty} \frac{\Gamma(n+\beta)}{(n+k+1)!} t^{n+k+1} \\
 &= -\sum_{j=1}^k (-1)^j \frac{\Gamma(-\beta+k+2)}{\Gamma(-\beta+k+2-j)} \frac{t^j}{j!} + (-1)^k \frac{\Gamma(-\beta+k+2)}{\Gamma(\beta)\Gamma(-\beta+1)} \sum_{n=0}^{\infty} \frac{\Gamma(n+\beta)}{(n+k+1)!} t^{n+k+1},
 \end{aligned}$$

and thus

$$\begin{aligned}
 (1 - t)^{-\beta+k+1} &= 1 + \sum_{j=1}^k (-1)^j \frac{\Gamma(-\beta+k+2)}{\Gamma(-\beta+k+2-j)} \frac{t^j}{j!} \\
 &\quad + (-1)^{k+1} \frac{\Gamma(-\beta+k+2)}{\Gamma(\beta)\Gamma(-\beta+1)} \sum_{n=0}^{\infty} \frac{\Gamma(n+\beta)}{(n+k+1)!} t^{n+k+1}.
 \end{aligned}$$

This proves the induction step. Assuming  $\alpha$  to be a non-integer, the lemma follows by taking  $\beta = 1 - \{\alpha\}$  and  $k = [\alpha] + 3$ . Then  $0 < \beta < 1$  and  $-\beta + k = 2 + \{\alpha\} + [\alpha] = 2 + \alpha$ . Using the next relation the stated identity follows:

$$\Gamma(\beta)\Gamma(-\beta+1) = \Gamma(1 - \{\alpha\})\Gamma(\{\alpha\}) = \frac{\pi}{\sin(\pi\{\alpha\})}. \quad \blacksquare$$

Applying the above lemma to  $t = |w|^2 = w\bar{w}$  we have

$$\begin{aligned}
 (1 - |w|^2)^{2+\alpha} &= \sum_{j=0}^{2+[\alpha]} (-1)^j \frac{\Gamma(3+\alpha)}{j!\Gamma(3+\alpha-j)} w^j \bar{w}^j \\
 &\quad + (-1)^{1+[\alpha]} \frac{\Gamma(3+\alpha) \sin(\pi\{\alpha\})}{\pi} \sum_{n=0}^{\infty} \frac{\Gamma(n+1-\{\alpha\})}{(3+n+[\alpha])!} w^{3+n+[\alpha]} \bar{w}^{3+n+[\alpha]}.
 \end{aligned}$$

Multiply by  $f(w)\overline{g(w)}$  to obtain

$$\begin{aligned}
 B_\alpha[f \otimes g](w) &= \sum_{j=0}^{2+[\alpha]} (-1)^j \frac{\Gamma(3+\alpha)}{j!\Gamma(3+\alpha-j)} w^j f(w) \overline{w^j g(w)} \\
 &\quad + (-1)^{1+[\alpha]} \frac{\Gamma(3+\alpha) \sin(\pi\{\alpha\})}{\pi} \sum_{n=0}^{\infty} \frac{\Gamma(n+1-\{\alpha\})}{(3+n+[\alpha])!} w^{3+n+[\alpha]} f(w) \overline{w^{3+n+[\alpha]} g(w)}.
 \end{aligned}$$

Using that for analytic functions  $h$  and  $k$  the Toeplitz product  $T_h T_{\bar{k}}$  has Berezin transform  $B_\alpha[T_h T_{\bar{k}}](w) = h(w)\overline{k(w)}$ , the above formula and the unicity of the

Berezin transform imply the following operator identity

$$\begin{aligned} f \otimes g &= \sum_{j=0}^{2+[\alpha]} (-1)^j \frac{\Gamma(3+\alpha)}{j! \Gamma(3+\alpha-j)} T_z^j T_{\bar{z}}^j f T_{\bar{z}}^j g \\ &+ (-1)^{1+[\alpha]} \frac{\Gamma(3+\alpha) \sin(\pi\{\alpha\})}{\pi} \sum_{n=0}^{\infty} \frac{\Gamma(n+1-\{\alpha\})}{(3+n+[\alpha])!} T_{z^{3+n+[\alpha]} f} T_{z^{3+n+[\alpha]} \bar{z}^j g} \\ &= \sum_{j=0}^{2+[\alpha]} (-1)^j \frac{\Gamma(3+\alpha)}{j! \Gamma(3+\alpha-j)} T_z^j T_f T_{\bar{z}}^j T_{\bar{z}}^j \\ &+ (-1)^{1+[\alpha]} \frac{\Gamma(3+\alpha) \sin(\pi\{\alpha\})}{\pi} \sum_{n=0}^{\infty} \frac{\Gamma(n+1-\{\alpha\})}{(3+n+[\alpha])!} T_z^{3+n+[\alpha]} T_f T_{\bar{z}}^j T_{\bar{z}}^{3+n+[\alpha]}. \end{aligned}$$

This operator identity in turn implies

$$\|f \otimes g\| \leq \sum_{j=0}^{2+[\alpha]} \frac{\Gamma(3+\alpha)}{j! \Gamma(3+\alpha-j)} \|T_f T_{\bar{z}}^j\| + \frac{\Gamma(3+\alpha) \sin(\pi\{\alpha\})}{\pi} \sum_{n=0}^{\infty} \frac{\Gamma(n+1-\{\alpha\})}{(3+n+[\alpha])!} \|T_f T_{\bar{z}}^j\|.$$

Using Stirling’s formula it is easy to verify that  $\frac{\Gamma(n+1-\{\alpha\})}{(3+n+[\alpha])!} \sim \frac{1}{n^{3+\alpha}}$ , so the positive series

$$\sum_{n=0}^{\infty} \frac{\Gamma(n+1-\{\alpha\})}{(3+n+[\alpha])!}$$

converges. Hence there exists a finite positive number  $C_\alpha$  such that

$$\|f\|_\alpha \|g\|_\alpha = \|f \otimes g\| \leq C_\alpha \|T_f T_{\bar{z}}^j\|.$$

For  $w \in \mathbb{D}$  the function  $\varphi_w$  has real Jacobian equal to

$$|\varphi'_w(z)|^2 = \frac{(1-|w|^2)^2}{|1-\bar{w}z|^4}.$$

Using the identity

$$(2.2) \quad 1 - |\varphi_w(z)|^2 = \frac{(1-|w|^2)(1-|z|^2)}{|1-\bar{w}z|^2}$$

it is readily verified that

$$(1-|z|^2)^\alpha |k_w^{(\alpha)}(z)|^2 = |\varphi'_w(z)|^2 (1-|\varphi_w(z)|^2)^\alpha,$$

which implies the change-of-variable formula

$$(2.3) \quad \int_{\mathbb{D}} h(\varphi_w(z)) |k_w^{(\alpha)}(z)|^2 dA_\alpha(z) = \int_{\mathbb{D}} h(u) dA_\alpha(u),$$

for every  $h \in L^1(\mathbb{D})$ . It follows from (2.3) that the mapping  $U_w^{(\alpha)} h = (h \circ \varphi_w) k_w^{(\alpha)}$  is an isometry on  $A_\alpha^2$ :

$$\|U_w^{(\alpha)} h\|_\alpha^2 = \int_{\mathbb{D}} |h(\varphi_w(z))|^2 |k_w^{(\alpha)}(z)|^2 dA_\alpha(z) = \int_{\mathbb{D}} |h(u)|^2 dA_\alpha(u) = \|h\|_\alpha^2,$$

for all  $h \in A_\alpha^2$ . Using the identity

$$1 - \overline{\varphi_w(z)}w = \frac{1 - |w|^2}{1 - \bar{z}w},$$

we have

$$k_w^{(\alpha)}(\varphi_w(z)) = \frac{(1 - |w|^2)^{(2+\alpha)/2}}{(1 - \overline{\varphi_w(z)}w)^{2+\alpha}} = \frac{(1 - \bar{z}w)^{2+\alpha}}{(1 - |w|^2)^{(2+\alpha)/2}} = \frac{1}{k_w^{(\alpha)}(z)}.$$

Since  $\varphi_w \circ \varphi_w = \text{id}$ , we see that

$$(U_w^{(\alpha)}(U_w^{(\alpha)}h))(z) = (U_w^{(\alpha)}h)(\varphi_w(z))k_w^{(\alpha)}(z) = h(z)k_w^{(\alpha)}(\varphi_w(z))k_w^{(\alpha)}(z) = h(z),$$

for all  $z \in \mathbb{D}$  and  $h \in A_\alpha^2$ . Thus  $(U_w^{(\alpha)})^{-1} = U_w^{(\alpha)}$ , and hence  $U_w^{(\alpha)}$  is unitary on  $A_\alpha^2$ . Furthermore,

$$(2.4) \quad T_{f \circ \varphi_w} U_w^{(\alpha)} = U_w^{(\alpha)} T_f.$$

For  $h \in H^\infty$  and  $g \in A_\alpha^2$  the following equations establish (2.4):

$$\begin{aligned} \langle U_w^{(\alpha)} T_f h, U_w^{(\alpha)} g \rangle_\alpha &= \langle T_f h, g \rangle_\alpha = \int_{\mathbb{D}} f(u)h(u)\overline{g(u)}dA_\alpha(z) \\ &= \int_{\mathbb{D}} f(\varphi_w(z))h(\varphi_w(z))\overline{g(\varphi_w(z))}|k_w^{(\alpha)}(z)|^2 dA_\alpha(z) \\ &= \int_{\mathbb{D}} f(\varphi_w(z))h(\varphi_w(z))k_w^{(\alpha)}(z)\overline{g(\varphi_w(z))k_w^{(\alpha)}(z)}dA_\alpha(z) \\ &= \langle fU_w^{(\alpha)}h, U_w^{(\alpha)}g \rangle_\alpha = \langle T_{f \circ \varphi_w} U_w^{(\alpha)}h, U_w^{(\alpha)}g \rangle_\alpha. \end{aligned}$$

It follows from (2.4), applied to  $f$  and  $\bar{g}$ , that  $T_{f \circ \varphi_w} T_{\bar{g} \circ \varphi_w} = (T_{f \circ \varphi_w} U_w^{(\alpha)})U_w^{(\alpha)}$ .  
 $(T_{\bar{g} \circ \varphi_w} U_w^{(\alpha)})U_w^{(\alpha)} = (U_w^{(\alpha)} T_f)U_w^{(\alpha)}(U_w^{(\alpha)} T_{\bar{g}})U_w^{(\alpha)} = U_w^{(\alpha)}(T_f T_{\bar{g}})U_w^{(\alpha)}$ , thus

$$\|f \circ \varphi_w\|_\alpha \|g \circ \varphi_w\|_\alpha \leq C_\alpha \|T_{f \circ \varphi_w} T_{\bar{g} \circ \varphi_w}\| = C_\alpha \|T_f T_{\bar{g}}\|,$$

hence

$$B_\alpha[|f|^2](w)B_\alpha[|g|^2](w) \leq C_\alpha^2 \|T_f T_{\bar{g}}\|^2,$$

for all  $w \in \mathbb{D}$ . So, for  $f, g \in A_\alpha^2$ , a necessary condition for the Toeplitz product  $T_f T_{\bar{g}}$  to be bounded on  $A_\alpha^2$  is

$$(2.5) \quad \sup_{w \in \mathbb{D}} B_\alpha[|f|^2](w)B_\alpha[|g|^2](w) < \infty.$$

This completes the proof of Theorem 1.1.



## 3. SUFFICIENT CONDITION FOR BOUNDEDNESS

Theorem 1.2 states that a condition slightly stronger than the necessary condition (2.5) is sufficient, namely the condition that for  $f, g \in A_\alpha^2$  and for  $\varepsilon > 0$

$$(3.1) \quad \sup_{w \in \mathbb{D}} B_\alpha[|f|^{2+\varepsilon}](w) B_\alpha[|g|^{2+\varepsilon}](w) < \infty.$$

3.1. ESTIMATES. We establish some estimates for the  $n$ -th order derivatives of images of Toeplitz operators.

LEMMA 3.1. *Let  $-1 < \alpha < \infty$  and let  $n$  be a non-negative integer. For  $f \in A_\alpha^2$  and  $h \in H^\infty(\mathbb{D})$  we have, for all  $w \in \mathbb{D}$ ,*

$$|(T_f^* h)^{(n)}(w)| \leq 2^n \frac{\Gamma(\alpha + 2 + n)}{\Gamma(\alpha + 2)} \frac{1}{(1 - |w|^2)^{n+1+\alpha/2}} B_\alpha[|f|^2](w)^{1/2} \|h\|_\alpha.$$

*Proof.* Differentiating the formula

$$(T_f^* h)(w) = (\alpha + 1) \int_{\mathbb{D}} \frac{\overline{f(z)} h(z)}{(1 - w\bar{z})^{2+\alpha}} (1 - |z|^2)^\alpha dA(z)$$

$n$  times yields

$$(3.2) \quad (T_f^* h)^{(n)}(w) = \frac{\Gamma(\alpha + 2 + n)}{\Gamma(\alpha + 1)} \int_{\mathbb{D}} \frac{\overline{z^n f(z)} h(z)}{(1 - w\bar{z})^{2+n+\alpha}} (1 - |z|^2)^\alpha dA(z).$$

The following inequalities give the desired estimate:

$$\begin{aligned} & |(T_f^* h)^{(n)}(w)| \\ & \leq \frac{\Gamma(\alpha + 2 + n)}{\Gamma(\alpha + 1)} \int_{\mathbb{D}} \frac{|f(z)| |h(z)|}{|1 - w\bar{z}|^{2+n+\alpha}} (1 - |z|^2)^\alpha dA(z) \\ & \leq \frac{\Gamma(\alpha + 2 + n)}{\Gamma(\alpha + 1)} \left( \int_{\mathbb{D}} \frac{|f(z)|^2}{|1 - w\bar{z}|^{4+2n+2\alpha}} (1 - |z|^2)^\alpha dA(z) \right)^{1/2} \times \left( \int_{\mathbb{D}} |h(z)|^2 (1 - |z|^2)^\alpha dA(z) \right)^{1/2} \\ & \leq \frac{\Gamma(\alpha + 2 + n)}{\Gamma(\alpha + 1)} \frac{1}{(1 - |w|)^n} \left( \int_{\mathbb{D}} \frac{|f(z)|^2}{|1 - w\bar{z}|^{4+2\alpha}} (1 - |z|^2)^\alpha dA(z) \right)^{1/2} \left( \int_{\mathbb{D}} |h(z)|^2 (1 - |z|^2)^\alpha dA(z) \right)^{1/2} \\ & = \frac{\Gamma(\alpha + 2 + n)}{\Gamma(\alpha + 2)} \frac{1}{(1 - |w|)^n} \left( \frac{B_\alpha[|f|^2](w)}{(1 - |w|^2)^{2+\alpha}} \right)^{1/2} \|h\|_\alpha \\ & = \frac{\Gamma(\alpha + 2 + n)}{\Gamma(\alpha + 2)} \frac{2^n}{(1 - |w|^2)^{n+1+\alpha/2}} B_\alpha[|f|^2](w)^{1/2} \|h\|_\alpha. \quad \blacksquare \end{aligned}$$

LEMMA 3.2. *Let  $-1 < \alpha < \infty$ , let  $\varepsilon > 0$ , and let  $n$  be an integer at least as large as  $\frac{2+\alpha}{2+\varepsilon}$ . There exists a constant  $C$ , only depending on  $\alpha$  and  $n$ , such that for  $f \in A_\alpha^2$  and*

$h \in H^\infty(\mathbb{D})$  we have, for all  $w \in \mathbb{D}$ , where  $\delta = \frac{2+\varepsilon}{1+\varepsilon}$ ,

$$|(T_f^* h)^{(n)}(w)| \leq \frac{C}{(1-|w|^2)^n} B_\alpha[|f|^{2+\varepsilon}](w)^{1/(2+\varepsilon)} \left( \frac{|h(z)|^\delta}{|1-\bar{z}w|^{2+\alpha}} dA_\alpha(z) \right)^{1/\delta}.$$

*Proof.* Using formula (3.2) and Hölder's inequality we have

$$\begin{aligned} & |(T_f^* h)^{(n)}(w)| \\ & \leq \frac{\Gamma(\alpha+2+n)}{\Gamma(\alpha+1)} \int_{\mathbb{D}} \frac{|f(z)||h(z)|}{|1-w\bar{z}|^{2+n+\alpha}} (1-|z|^2)^\alpha dA(z) \\ & \leq \frac{\Gamma(\alpha+2+n)}{\Gamma(\alpha+1)} \left( \int_{\mathbb{D}} \frac{|f(z)|^{2+\varepsilon}}{|1-w\bar{z}|^{2+\alpha+n(2+\varepsilon)}} (1-|z|^2)^\alpha dA(z) \right)^{1/(2+\varepsilon)} \\ & \quad \times \left( \int_{\mathbb{D}} \frac{|h(z)|^\delta}{|1-w\bar{z}|^{2+\alpha}} (1-|z|^2)^\alpha dA(z) \right)^{1/\delta} \\ & = \frac{\Gamma(\alpha+2+n)}{\Gamma(\alpha+1)} \left( \int_{\mathbb{D}} \frac{|f(z)|^{2+\varepsilon}}{|1-w\bar{z}|^{4+2\alpha+n(2+\varepsilon)-(2+\alpha)}} (1-|z|^2)^\alpha dA(z) \right)^{1/(2+\varepsilon)} \\ & \quad \times \left( \int_{\mathbb{D}} \frac{|h(z)|^\delta}{|1-w\bar{z}|^{2+\alpha}} (1-|z|^2)^\alpha dA(z) \right)^{1/\delta} \\ & \leq \frac{\Gamma(\alpha+2+n)}{\Gamma(\alpha+1)} \left( \int_{\mathbb{D}} \frac{|f(z)|^{2+\varepsilon}}{|1-w\bar{z}|^{4+2\alpha}(1-|w|)^{n(2+\varepsilon)-(2+\alpha)}} (1-|z|^2)^\alpha dA(z) \right)^{1/(2+\varepsilon)} \\ & \quad \times \left( \int_{\mathbb{D}} \frac{|h(z)|^\delta}{|1-w\bar{z}|^{2+\alpha}} (1-|z|^2)^\alpha dA(z) \right)^{1/\delta} \\ & \leq \frac{\Gamma(\alpha+2+n)}{\Gamma(\alpha+1)} \frac{1}{(1-|w|)^{n-(2+\alpha)/(2+\varepsilon)}} \left( \frac{1}{\alpha+1} \frac{B_\alpha[|f|^{2+\varepsilon}](w)}{(1-|w|^2)^{2+\alpha}} \right)^{1/(2+\varepsilon)} \\ & \quad \times \left( \frac{1}{\alpha+1} \int_{\mathbb{D}} \frac{|h(z)|^\delta}{|1-w\bar{z}|^{2+\alpha}} dA_\alpha(z) \right)^{1/\delta} \\ & = \frac{\Gamma(\alpha+2+n)}{\Gamma(\alpha+2)} \frac{(1+|w|)^{n-(2+\alpha)/(2+\varepsilon)}}{(1-|w|^2)^n} \left( B_\alpha[|f|^{2+\varepsilon}](w) \right)^{1/(2+\varepsilon)} \\ & \quad \times \left( \int_{\mathbb{D}} \frac{|h(z)|^\delta}{|1-w\bar{z}|^{2+\alpha}} dA_\alpha(z) \right)^{1/\delta} \\ & \leq \frac{\Gamma(\alpha+2+n)}{\Gamma(\alpha+2)} \frac{2^{n-(2+\alpha)/(2+\varepsilon)}}{(1-|w|^2)^n} B_\alpha[|f|^{2+\varepsilon}](w)^{1/(2+\varepsilon)} \left( \int_{\mathbb{D}} \frac{|h(z)|^\delta}{|1-w\bar{z}|^{2+\alpha}} dA_\alpha(z) \right)^{1/\delta}, \end{aligned}$$

which gives the desired estimate. ■

3.2. INNER PRODUCT FORMULA IN  $A_\alpha^2$ . In this subsection we will establish a formula for the inner product in  $A_\alpha^2$  needed to prove our sufficiency condition for boundedness of Toeplitz products.

If  $f$  and  $g$  satisfy the sufficiency condition (3.1), and  $h$  and  $k$  are polynomials, Lemma 3.1 shows that the analytic functions  $F = T_f^*h$  and  $G = T_g^*k$  satisfy

$$(1 - |z|^2)^{2k+2+\alpha} |u^{(k)}(z)\overline{v^{(k)}(z)}| \leq C_{\alpha,k} \|h\|_\alpha \|k\|_\alpha,$$

while Lemma 3.2, combined by the  $L^p$ -boundedness of the Bergman projection on  $A_\alpha^2$  will be used to show that

$$\int_{\mathbb{D}} (1 - |z|^2)^{2n+\alpha} |u^{(n)}(z)\overline{v^{(n)}(z)}| dA(z) \leq C_{\alpha,k} \|h\|_\alpha \|k\|_\alpha,$$

provided  $n \geq \frac{2+\alpha}{2+\varepsilon}$  (details will follow). So we need to rewrite the inner product in such a way that the above estimates can be used. Write

$$\langle f, g \rangle_\alpha = \int_{\mathbb{D}} f \bar{g} dA_\alpha = (\alpha + 1) \int_{\mathbb{D}} f(z) \overline{g(z)} (1 - |z|^2)^\alpha dA(z).$$

Note that

$$\langle z^n, z^n \rangle_\alpha = \frac{n! \Gamma(\alpha + 2)}{\Gamma(n + \alpha + 2)}.$$

A calculation shows for all  $f, g \in A_\alpha^2$  that

$$(3.3) \quad \langle f, g \rangle_\alpha = \langle f, g \rangle_{\alpha+2} + \frac{\langle f', g' \rangle_{\alpha+2}}{(\alpha + 2)(\alpha + 3)} + \frac{\langle f', g' \rangle_{\alpha+3}}{(\alpha + 3)(\alpha + 4)}.$$

We iterate formula (3.3) to obtain an inner product formula useful in establishing the sufficiency condition (3.1) for boundedness of Toeplitz products on the weighted Bergman space  $A_\alpha^2$ .

LEMMA 3.3. *Let  $-1 < \alpha < \infty$ . There exist constants  $b_{n,1}, \dots, b_{n,2n+1}$  such that, for all  $f, g \in A_\alpha^2$ ,*

$$(3.4) \quad \begin{aligned} \langle f, g \rangle_\alpha &= \langle f, g \rangle_{\alpha+2} + \sum_{j=1}^2 \sum_{k=1}^{n-1} b_{n,2k+j-2} \langle f^{(k)}, g^{(k)} \rangle_{\alpha+2k+j+1} \\ &\quad + \sum_{j=1}^3 b_{n,2n+j-2} \langle f^{(n)}, g^{(n)} \rangle_{\alpha+2n+j-1}. \end{aligned}$$

*Proof.* The inductive step is to use (3.3) on

$$\begin{aligned} \langle f^{(n)}, g^{(n)} \rangle_{\alpha+2n+j-1} &= \langle f^{(n)}, g^{(n)} \rangle_{\alpha+2n+j+1} + \frac{\langle f^{(n+1)}, g^{(n+1)} \rangle_{\alpha+2n+j+1}}{(\alpha + 2n + j + 1)(\alpha + 2n + j + 2)} \\ &\quad + \frac{\langle f^{(n+1)}, g^{(n+1)} \rangle_{\alpha+2n+j+2}}{(\alpha + 2n + j + 2)(\alpha + 2n + j + 3)}, \end{aligned}$$

for  $j = 1, 2$ . The following definitions establish the induction step, and can be used to determine these inner product formulas recursively:

$$b_{n+1,2n+3} = \frac{b_{n,2n}}{(\alpha + 2n + 4)(\alpha + 2n + 5)}; \quad b_{n+1,2n+2} = \frac{b_{n,2n} + b_{n,2n-1}}{(\alpha + 2n + 3)(\alpha + 2n + 4)};$$

$$b_{n+1,2n+1} = \frac{b_{n,2n-1}}{(\alpha + 2n + 2)(\alpha + 2n + 3)}; \quad b_{n+1,k} = b_{n,k}, \text{ for } 1 \leq k \leq 2n.$$

This proves the result. ■

3.3. PROOF OF THE SUFFICIENCY CONDITION. The inner product formula (3.4) and the estimates discussed will establish that for analytic functions  $f$  and  $g$  satisfying condition (3.1) the Toeplitz operator  $T_f T_{\bar{g}}$  is bounded on  $A_\alpha^2$ .

Let  $f$  and  $g$  be analytic functions satisfying the condition (3.1), and let  $h$  and  $k$  be polynomials. Put  $F = T_f^* h$  and  $G = T_g^* k$ , and choose a positive integer  $n$  such that  $n \geq \frac{2+\alpha}{2+\epsilon}$ . By Lemma 3.1, there are finite constants  $C_{\alpha,k}$  (depending on the constant in condition (3.1)) such that

$$(1 - |z|^2)^{2k+2+\alpha} |F^{(k)}(z) \overline{G^{(k)}(z)}| \leq C_{\alpha,k} \|h\|_\alpha \|k\|_\alpha,$$

for all  $z \in \mathbb{D}$ . This implies for  $k = 1, \dots, n - 1$  and  $j = 1, 2$  that

$$|\langle F^{(k)}, G^{(k)} \rangle_{\alpha+2k+j+1}| \leq C_{\alpha,k} \|h\|_\alpha \|k\|_\alpha.$$

Using Lemma 3.2,

$$\begin{aligned} & (1 - |w|^2)^{2n} |(T_f^* h)^{(n)}(w)| |(T_g^* k)^{(n)}(w)| \\ & \leq C B_\alpha[|f|^{2+\epsilon}](w)^{1/(2+\epsilon)} B_\alpha[|g|^{2+\epsilon}](w)^{1/(2+\epsilon)} \\ & \quad \times \left( \int_{\mathbb{D}} \frac{|h(z)|^\delta}{|1 - \bar{z}w|^{2+\alpha}} dA_\alpha(z) \right)^{1/\delta} \left( \int_{\mathbb{D}} \frac{|k(z)|^\delta}{|1 - \bar{z}w|^{2+\alpha}} dA_\alpha(z) \right)^{1/\delta} \\ & \leq CM(Q_\alpha|h|^\delta(w))^{1/\delta} (Q_\alpha|k|^\delta(w))^{1/\delta}, \end{aligned}$$

where  $Q_\alpha$  denotes the integral operator defined by

$$Q_\alpha u(w) = \int_{\mathbb{D}} \frac{|u(z)|}{|1 - \bar{z}w|^{2+\alpha}} dA_\alpha(z).$$

Using the inequality of Cauchy-Schwarz,

$$\begin{aligned} & \int_{\mathbb{D}} (1 - |w|^2)^{2n} |(T_f^* h)^{(n)}(w)| |(T_g^* k)^{(n)}(w)| dA_\alpha(w) \\ & \leq CM \left( \int_{\mathbb{D}} (Q_\alpha|h|^\delta(w))^{2/\delta} dA_\alpha(w) \right)^{1/2} \left( \int_{\mathbb{D}} (Q_\alpha|k|^\delta(w))^{2/\delta} dA_\alpha(w) \right)^{1/2}. \end{aligned}$$

Since  $p = \frac{2}{\delta} > 1$ , the  $L^p$ -boundedness of operator  $Q_\alpha$  on  $A_\alpha^2$  (which can be proved similarly to Theorem 4.2.3 and Remark 4.2.5 in [21] considering the test function  $(1 - |z|^2)^{-(\alpha+1)/(pq)}$ ), shows that

$$\int_{\mathbb{D}} (Q_\alpha |v|^\delta(w))^{2/\delta} dA_\alpha(w) \leq C' \int_{\mathbb{D}} (|v|^\delta(w))^{2/\delta} dA_\alpha(w) = \|v\|_\alpha^2,$$

thus

$$\int_{\mathbb{D}} (1 - |z|^2)^{2n+\alpha} |u^{(n)}(z) \overline{v^{(n)}(z)}| dA(z) \leq C_{\alpha,n} \|h\|_\alpha \|k\|_\alpha.$$

This implies  $|\langle F^{(k)}, G^{(k)} \rangle_{\alpha+2n+j-1}| \leq C_{\alpha,n} \|h\|_\alpha \|k\|_\alpha$ , for  $j = 1, 2, 3$ . Also, by Lemma 3.1,  $|\langle F, G \rangle_{\alpha+2}| \leq C_{\alpha,0} \|h\|_\alpha \|k\|_\alpha$ . With the help of the inner product formula (3.4) it follows that

$$|\langle F, G \rangle_\alpha| \leq \left( \sum_{j=1}^{2n+1} |b_{n,j}| \max_{0 \leq k \leq n} C_{\alpha,k} \right) \|h\|_\alpha \|k\|_\alpha,$$

proving that the Toeplitz product  $T_f T_{\bar{g}}$  is bounded on  $A_\alpha^2$ . ■

#### 4. A REVERSED HÖLDER INEQUALITY

In this section we will prove a reverse Hölder inequality for  $f$  in  $A_\alpha^2$  satisfying the following invariant weight condition:

$$(M_2) \quad \sup_{w \in \mathbb{D}} B_\alpha[|f|^2](w) B_\alpha[|f|^{-2}](w) < \infty.$$

We will prove that the above condition implies that

$$(M_{2+\varepsilon}) \quad \sup_{w \in \mathbb{D}} B_\alpha[|f|^{2+\varepsilon}](w) B_\alpha[|f|^{-(2+\varepsilon)}](w) < \infty$$

for sufficiently small  $\varepsilon > 0$ . By Hölder's inequality,

$$\left( \int_{\mathbb{D}} |f|^2 dA_\alpha \right)^{1/2} \leq \left( \int_{\mathbb{D}} |f|^{2+\varepsilon} dA_\alpha \right)^{1/(2+\varepsilon)}.$$

Applying this to the function  $f \circ \varphi_w$  it follows that

$$B_\alpha[|f|^2](w) \leq B_\alpha[|f|^{2+\varepsilon}](w)^{2/(2+\varepsilon)},$$

and thus

$$B_\alpha[|f|^2](w) B_\alpha[|f|^{-2}](w) \leq (B_\alpha[|f|^{2+\varepsilon}](w) B_\alpha[|f|^{-(2+\varepsilon)}](w))^{2/(2+\varepsilon)},$$

so condition  $(M_{2+\varepsilon})$  implies  $(M_2)$ . Thus, the above implication will follow once we prove a reversed Hölder inequality:

**THEOREM 4.1.** *Suppose that  $f \in A^2_\alpha$  satisfies condition  $(M_2)$  with constant*

$$M = \sup_{w \in \mathbb{D}} B_\alpha[|f|^2](w)B_\alpha[|f|^{-2}](w) < \infty.$$

*There exist constants  $\varepsilon_M > 0$  and  $C_M > 0$  such that for every  $w \in \mathbb{D}$  and  $0 < \varepsilon < \varepsilon_M$  we have*

$$B_\alpha[|f|^{2+\varepsilon}](w) \leq C_M(B_\alpha[|f|^2](w))^{(2+\varepsilon)/2}.$$

As in [18], our proof will make use of dyadic rectangles and the dyadic maximal function. We first discuss the dyadic rectangles and prove some elementary properties related to these rectangles.

**DYADIC RECTANGLES.** Any set of the form

$$Q_{n,m,k} = \{re^{i\theta} : (m-1)2^{-n} \leq r < m2^{-n} \text{ and } (k-1)2^{-n+1}\pi \leq \theta < k2^{-n+1}\pi\},$$

where  $n, m$  and  $k$  are positive integers such that  $m \leq 2^n$  and  $k \leq 2^n$  is called a *dyadic rectangle*. The center of the above dyadic rectangle  $Q = Q_{n,m,k}$  is the point  $z_Q = (m - \frac{1}{2})2^{-n}e^{i\vartheta}$ , with  $\vartheta = (k - \frac{1}{2})2^{1-n}\pi$ . If  $d(Q)$  denotes the distance between  $Q$  and  $\partial\mathbb{D}$ , and  $\ell(Q)$  denotes the length of the square in the radial direction ( $\ell(Q_{n,m,k}) = 2^{-n}$ ), then

$$(4.1) \quad 1 - |z_Q| = d(Q) + \frac{1}{2}\ell(Q).$$

The following figure shows these quantities for a dyadic rectangle not adjacent to the unit circle  $\partial\mathbb{D}$ .

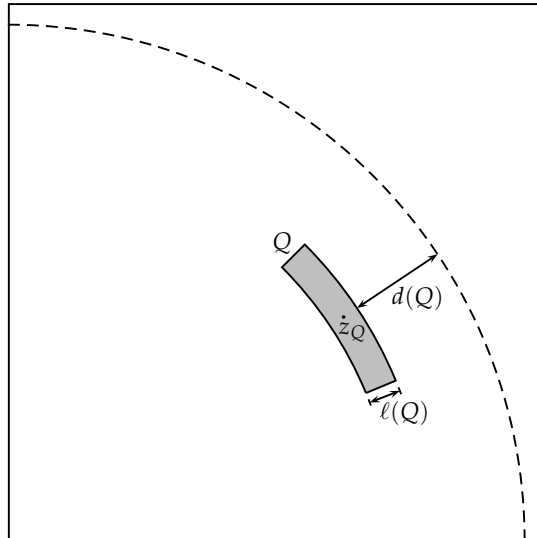


Figure 1: Dyadic rectangle  $Q$  with center  $z_Q$

A simple calculation shows that

$$(4.2) \quad |Q| = 8|z_Q|(1 - |z_Q| - d(Q))^2.$$

Write  $A_\alpha(E)$  to denote the measure of a measurable set  $E \subset \mathbb{D}$  with respect to  $dA_\alpha(z) = (\alpha + 1)(1 - |z|^2)^\alpha dA(z)$ . If  $Q$  is a dyadic rectangle, then its weighted area is

$$A_\alpha(Q) = \ell(Q) \left\{ (d(Q) + \ell(Q))^{1+\alpha} (1 + |z_Q| - \frac{1}{2}\ell(Q))^{1+\alpha} - d(Q)^{1+\alpha} (1 + |z_Q| + \frac{1}{2}\ell(Q))^{1+\alpha} \right\}.$$

The above formula for  $A_\alpha(Q)$  can be used to obtain estimates for use in our proofs. However, many different cases need to be considered. As it turns out, dyadic rectangles not in contact with the unit circle can be treated easily without knowing their weighted area. The following formula give the weighted area of a dyadic rectangle that lies adjacent to the unit circle. If  $Q$  is a dyadic rectangle in the unit disk other than  $\mathbb{D}$  for which  $d(Q) = 0$ , then

$$(4.3) \quad A_\alpha(Q) = 2^{3+2\alpha} |z_Q|^{1+\alpha} (1 - |z_Q|)^{2+\alpha}.$$

4.1. INVARIANT WEIGHT CONDITION. For  $w \in \mathbb{D}$  let  $k_w^{(\alpha)}$  denote the normalized reproducing kernel in the weighted Bergman space  $A_\alpha^2$ .

LEMMA 4.2. *Let  $-1 < \alpha < \infty$ . There exists a positive number  $c_\alpha$  such that for every dyadic rectangle  $Q$  in  $\mathbb{D}$  and every  $z \in Q$*

$$|k_{z_Q}^{(\alpha)}(z)|^2 \geq \frac{c_\alpha}{(1 - |z_Q|)^{2+\alpha}}.$$

*Proof.* If  $z = re^{i\theta} \in Q$  and  $Q = Q_{n,m,k}$ , then  $z_Q = 2^{-n}(m - \frac{1}{2})e^{i\vartheta}$ , where  $\vartheta = 2^{1-n}(k - \frac{1}{2})\pi$ , thus

$$|\theta - \vartheta| \leq \frac{2\pi}{2^{n+1}} \leq 2\pi(1 - |z_Q|).$$

Since  $r \geq |z_Q| - \frac{1}{2^{n+1}} \geq |z_Q| - (1 - |z_Q|)$ , we have  $r|z_Q| \geq |z_Q|^2 - |z_Q|(1 - |z_Q|)$ , thus

$$1 - r|z_Q| \leq 1 - |z_Q|^2 + |z_Q|(1 - |z_Q|) = (1 + 2|z_Q|)(1 - |z_Q|) \leq 3(1 - |z_Q|).$$

Hence

$$\begin{aligned} |1 - \bar{z}_Q z|^2 &= 1 + r^2 |z_Q|^2 - 2r|z_Q| \cos(\theta - \vartheta) = (1 - r|z_Q|)^2 + 4r|z_Q| \sin^2(\frac{\theta - \vartheta}{2}) \\ &\leq (1 - r|z_Q|)^2 + r|z_Q|(\theta - \vartheta)^2 \leq 9(1 - |z_Q|)^2 + 4\pi^2 r|z_Q|(1 - |z_Q|)^2 \leq 50(1 - |z_Q|)^2, \end{aligned}$$

and we obtain

$$|k_{z_Q}^{(\alpha)}(z)|^2 = \frac{(1 - |z_Q|^2)^{2+\alpha}}{|1 - \bar{z}_Q z|^{4+2\alpha}} \geq \frac{1}{50^{2+\alpha} (1 - |z_Q|)^{2+\alpha}}.$$

This proves the inequality with  $c_\alpha = \frac{1}{50^{2+\alpha}}$ . ■

For  $w \in \mathbb{D}$  and  $0 < s < 1$  let  $D(w, s)$  denote the pseudohyperbolic disk with center  $w$  and radius  $0 < s < 1$ , i.e,

$$D(w, s) = \{z \in \mathbb{C} : |\varphi_w(z)| < s\}.$$

LEMMA 4.3. *Suppose that  $f \in A_\alpha^2$  satisfies the invariant weight condition  $(M_2)$  and let  $0 < s < 1$ . There is a constant  $c_s > 0$  such that the following inequalities hold for every  $z \in D(w, s)$ :*

$$\frac{1}{c_s} \leq \frac{|f(z)|}{|f(w)|} \leq c_s.$$

*Proof.* Fix  $w \in \mathbb{D}$ . Let  $u$  be in  $D(0, s)$ . Since  $f$  is in  $A_\alpha^2$  we have  $f(u) = \langle f, K_u^{(\alpha)} \rangle_\alpha$ . Applying the Cauchy-Schwarz inequality we obtain

$$|f(u)| \leq \|f\|_\alpha \|K_u^{(\alpha)}\|_\alpha = \frac{\|f\|_\alpha}{(1 - |u|^2)^{(2+\alpha)/2}} \leq \frac{\|f\|_\alpha}{(1 - s^2)^{(2+\alpha)/2}},$$

for each  $u$  in  $D(0, s)$ . Now if  $z \in D(w, s)$  then  $z = \varphi_w(u)$ , for some  $u \in D(0, s)$ . Replacing  $f$  by  $f \circ \varphi_w$  in the above inequality gives

$$|f(z)| = |(f \circ \varphi_w)(u)| \leq \frac{\|f \circ \varphi_w\|_\alpha}{(1 - s^2)^{(2+\alpha)/2}} = \frac{1}{(1 - s^2)^{(2+\alpha)/2}} B_\alpha[|f|^2](w)^{1/2}.$$

By the Cauchy-Schwarz inequality

$$\frac{1}{|f(w)|} = |(f^{-1} \circ \varphi_w)(0)| \leq \|f^{-1} \circ \varphi_w\|_\alpha = B_\alpha[|f^{-1}|^2](w)^{1/2}.$$

Combining these inequalities we have

$$\frac{|f(z)|}{|f(w)|} \leq \frac{1}{(1 - s^2)^{(2+\alpha)/2}} B_\alpha[|f|^2](w)^{1/2} B_\alpha[|f|^{-2}](w)^{1/2} \leq \frac{M^{1/2}}{(1 - s^2)^{(2+\alpha)/2}},$$

for all  $z \in D(w, s)$ . Replacing  $f$  by its reciprocal  $f^{-1}$  gives the other inequality. ■

PROPOSITION 4.4. *There exists a  $0 < R < 1$  such that*

$$Q \subset D(z_Q, R),$$

for every dyadic rectangle in  $\mathbb{D}$  that has positive distance to  $\partial\mathbb{D}$ .

The following figure illustrates the above proposition.



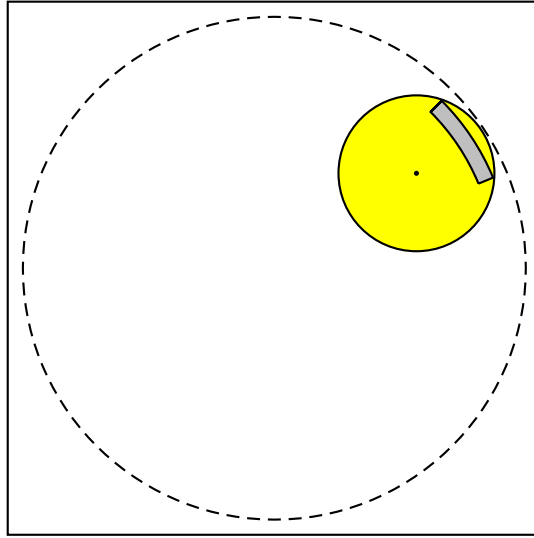


Figure 2: Dyadic rectangle  $Q$  included in  $D(z_Q, R)$ .

*Proof.* It suffices to consider dyadic rectangles closest to  $\partial\mathbb{D}$ . Let  $Q$  be such a dyadic rectangle with positive distance to  $\partial\mathbb{D}$ . For  $0 < r < 1$  the pseudohyperbolic disk  $D(z_Q, r)$  is a euclidean disk in  $\mathbb{D}$  whose euclidean center is closer to the origin than  $z_Q$  is (the euclidean center of  $D(z_Q, r)$  is  $\frac{(1-r^2)z_Q}{1-r^2|z_Q|^2}$  and the euclidean radius is  $\frac{(1-|z_Q|^2)r}{1-r^2|z_Q|^2}$ ; see [6], page 3). Recall that the center  $z_Q$  of  $Q$  has argument  $\vartheta = \frac{(2k-1)\pi}{2^n}$ . We need to show that  $Q$ 's outer corners  $(1 - 2^{-n})e^{i(\vartheta \pm \pi/2^n)}$  belong to  $D(z_Q, r)$  for sufficiently large  $0 < r < 1$ . Using rotation-invariance, it will be enough to estimate the pseudohyperbolic distance  $d_n$  between the points  $z_n = 1 - \frac{3}{2}2^{-n}$  and  $\lambda_n = (1 - 2^{-n})e^{i\vartheta_n}$ , where  $\vartheta_n = \frac{\pi}{2^n}$ . A calculation shows that

$$|z_n - \lambda_n|^2 = 2^{-2n-2} + 4(1 - \frac{3}{2}2^{-n})(1 - 2^{-n}) \sin^2(\frac{1}{2}\vartheta_n),$$

and

$$|1 - \bar{z}_n \lambda_n|^2 = 25 \times 2^{-2n-2} (1 - \frac{3}{5}2^{-n})^2 + 4(1 - \frac{3}{2}2^{-n})(1 - 2^{-n}) \sin^2(\frac{1}{2}\vartheta_n).$$

It follows that

$$d_n^2 = \frac{1 + 4(1 - \frac{3}{2}2^{-n})(1 - 2^{-n})\pi^2(\sin(\frac{1}{2}\vartheta_n)/(\frac{1}{2}\vartheta_n))^2}{25(1 - \frac{3}{5}2^{-n})^2 + 4(1 - \frac{3}{2}2^{-n})(1 - 2^{-n})\pi^2(\sin(\frac{1}{2}\vartheta_n)/(\frac{1}{2}\vartheta_n))^2} \rightarrow \frac{1 + 4\pi^2}{25 + 4\pi^2},$$

as  $n \rightarrow \infty$ . Consequently, there exists a  $0 < R < 1$  such that  $d_n < R$ , for all positive integers  $n$ . Then  $Q \subset D(z_Q, R)$ , for every dyadic rectangle for which  $d(Q) > 0$ . ■

LEMMA 4.5. *If  $f \in A_\alpha^2$  satisfies the invariant weight condition  $(M_2)$ , then there is a constant  $C > 0$  such that for every dyadic rectangle  $Q$*

$$\left(\frac{1}{A_\alpha(Q)} \int_Q |f|^2 dA_\alpha\right) \left(\frac{1}{A_\alpha(Q)} \int_Q |f|^{-2} dA_\alpha\right) \leq C.$$

The following proof of this more general result is actually more elementary than the proof of the corresponding lemma given in [18].

*Proof.* Suppose  $f \in A_\alpha^2$  satisfies the invariant weight condition

$$B_\alpha[|f|^2](w) B_\alpha[|f|^{-2}](w) \leq M < \infty,$$

for all  $w \in \mathbb{D}$ . Let  $Q$  be a dyadic square in the unit disk other than  $\mathbb{D}$  (if  $Q = \mathbb{D}$  the estimate holds, since  $\int_{\mathbb{D}} |f|^2 dA_\alpha = B_\alpha[|f|^2](0)$  and  $\int_{\mathbb{D}} |f|^{-2} dA_\alpha = B_\alpha[|f|^{-2}](0)$ ).

First assume that  $d(Q) > 0$ . By Proposition 4.4,  $Q \subset D(z_Q, R)$ . By Lemma 4.3, there exists a positive constant  $C$  such that

$$\frac{1}{C} |f(z_Q)| \leq |f(z)| \leq C |f(z_Q)|,$$

for all  $z \in Q$ . Therefore

$$\left(\frac{1}{A_\alpha(Q)} \int_Q |f|^2 dA_\alpha\right) \left(\frac{1}{A_\alpha(Q)} \int_Q |f|^{-2} dA_\alpha\right) \leq (C^2 |f(z_Q)|^2) (C^{-2} |f(z_Q)|^{-2}) = C^4.$$

Next assume that  $d(Q) = 0$ . Using Lemma 4.2 we have

$$B_\alpha[|f|^2](z_Q) = \int_{\mathbb{D}} |f|^2 |k_{z_Q}^{(\alpha)}|^2 dA_\alpha \geq \int_Q |f|^2 |k_{z_Q}^{(\alpha)}|^2 dA_\alpha \geq \frac{c_\alpha}{(1 - |z_Q|)^{2+\alpha}} \int_Q |f|^2 dA_\alpha.$$

Since  $Q \neq \mathbb{D}$  and  $d(Q) = 0$  we have  $|z_Q| \geq \frac{1}{2}$ , and it follows from (4.3) that

$$A_\alpha(Q) \geq 2^{2+\alpha} (1 - |z_Q|)^{2+\alpha}.$$

Combining the above two inequalities yields

$$B_\alpha[|f|^2](z_Q) \geq \frac{2^{2+\alpha} c_\alpha}{A_\alpha(Q)} \int_Q |f|^2 dA_\alpha.$$

A similar inequality holds for  $f^{-1}$ . Thus we have as desired

$$\left(\frac{1}{A_\alpha(Q)} \int_Q |f|^2 dA_\alpha\right) \left(\frac{1}{A_\alpha(Q)} \int_Q |f|^{-2} dA_\alpha\right) \leq \left(\frac{B_\alpha[|f|^2](z_Q)}{2^{2+\alpha} c_\alpha}\right) \left(\frac{B_\alpha[|f|^{-2}](z_Q)}{2^{2+\alpha} c_\alpha}\right) \leq \frac{M}{4^{2+\alpha} c_\alpha^2}. \quad \blacksquare$$

LEMMA 4.6. *Let  $-1 < \alpha < \infty$  and suppose that  $f \in A_\alpha^2$  satisfies the invariant weight condition  $(M_2)$ . For every  $w \in \mathbb{D}$  let  $d\mu_w^{(\alpha)} = |f \circ \varphi_w|^2 dA_\alpha$ . If  $0 < \gamma < 1$ , then there exists a  $0 < \delta < 1$  such that whenever  $E$  is a subset of  $Q$  with  $A_\alpha(E) \leq \gamma A_\alpha(Q)$*

$$\mu_w^{(\alpha)}(E) \leq \delta \mu_w^{(\alpha)}(Q).$$

*Proof.* Suppose that  $B_\alpha[|f|^2](w)B_\alpha[|f|^{-2}](w) \leq M$ , for all  $w \in \mathbb{D}$ . Let  $E$  be a subset of  $Q$  with  $A_\alpha(E) \leq \gamma A_\alpha(Q)$ . Applying the inequality of Cauchy-Schwarz and Lemma 4.5 we have

$$\begin{aligned} A_\alpha(Q \setminus E)^2 &= \left( \int_{Q \setminus E} |f \circ \varphi_w| |f \circ \varphi_w|^{-1} dA_\alpha \right)^2 \leq \left( \int_{Q \setminus E} |f \circ \varphi_w|^2 dA_\alpha \right) \left( \int_{Q \setminus E} |f \circ \varphi_w|^{-2} dA_\alpha \right) \\ &\leq \left( \int_{Q \setminus E} |f \circ \varphi_w|^2 dA_\alpha \right) \left( \int_Q |f \circ \varphi_w|^{-2} dA_\alpha \right) \\ &\leq \left( \int_{Q \setminus E} |f \circ \varphi_w|^2 dA_\alpha \right) C A_\alpha(Q)^2 \left( \int_Q |f \circ \varphi_w|^2 dA_\alpha \right)^{-1} = C A_\alpha(Q)^2 \left\{ 1 - \frac{\mu_w^{(\alpha)}(E)}{\mu_w^{(\alpha)}(Q)} \right\}. \end{aligned}$$

If we put  $\gamma = 1 - \frac{(1-\gamma)^2}{C}$  it follows that

$$\frac{\mu_w^{(\alpha)}(E)}{\mu_w^{(\alpha)}(Q)} \leq 1 - \frac{1}{C} \left( 1 - \frac{A_\alpha(E)}{A_\alpha(Q)} \right)^2 \leq \delta. \quad \blacksquare$$

THE DYADIC MAXIMAL FUNCTION. Define the dyadic maximal operator  $\mathcal{M}_\alpha$  by

$$(\mathcal{M}_\alpha f)(w) = \sup_{w \in Q} \frac{1}{A_\alpha(Q)} \int_Q |f| dA_\alpha,$$

where the supremum is over all dyadic rectangles  $Q$  that contain  $w$ . The maximal function is of weak-type  $(1, 1)$  and the maximal function is greater than the dyadic maximal function, so the dyadic maximal function of any continuous integrable function is finite on  $\mathbb{D}$ . In particular, if  $f \in A_\alpha^2$  satisfies the invariant  $A_2$ -condition, then the dyadic maximal function  $\mathcal{M}_\alpha |f|^2$  is always finite. This can also be seen directly as follows. Given a point  $w \in \mathbb{D}$ , there is a number  $0 < R < 1$  such that all but a finite number of dyadic rectangles containing the point  $w$  lie inside the closed disk  $\bar{D}(0, R) = \{z \in \mathbb{C} : |z| \leq R\}$ . If  $f \in A_\alpha^2$  and  $Q$  is a dyadic rectangle containing  $w$  inside the disk  $\bar{D}(0, R)$ , then

$$\frac{1}{A_\alpha(Q)} \int_Q |f(z)|^2 dA_\alpha(z) \leq \max\{|f(z)|^2 : |z| \leq R\}.$$

If  $Q_1, \dots, Q_m$  are dyadic rectangles containing  $w$  not contained in disk  $\bar{D}(0, R)$ , then

$$\mathcal{M}_\alpha |f|^2(w) \leq \max\{|f(z)|^2 : |z| \leq R\} + \max_{1 \leq j \leq m} \frac{1}{|Q_j|} \int_{Q_j} |f(z)|^2 dA(z) < \infty.$$

This proves that the dyadic function of  $|f|^2$  is finite on  $\mathbb{D}$ .

The principal fact about the dyadic maximal function is the Calderon-Zygmund decomposition formulated in the next theorem. We will need the notion of “doubling” of dyadic rectangles in its proof. Suppose that  $n \geq 1$  and  $m, k$  are

positive integers such that  $m, k \leq 2^n$ . The double of  $Q = Q_{n,m,k}$ , denoted by  $2Q$ , is defined by

$$2Q = Q_{n-1, \lfloor (m+1)/2 \rfloor, \lfloor (k+1)/2 \rfloor},$$

where  $\lfloor \ell \rfloor$  denotes the greatest integer less than or equal to  $\ell$ .

4.2. DOUBLING PROPERTY. The following figures show a dyadic rectangle  $Q$  and its double  $2Q$ .

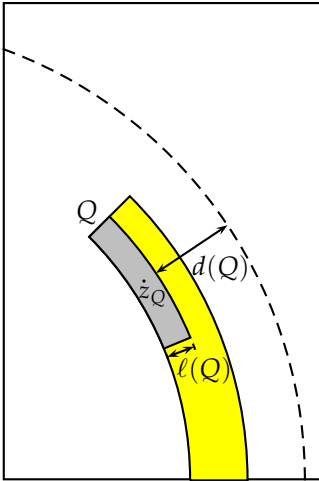


Figure 3: Dyadic rectangle and its double

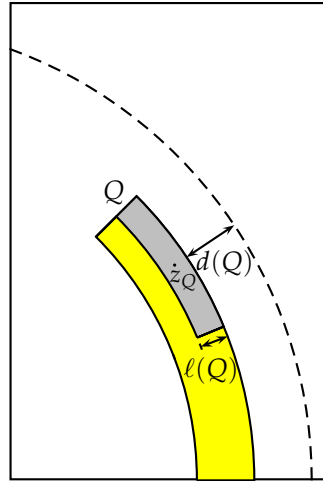


Figure 4: Dyadic rectangle and its double

Using (4.2) as well as  $d(2Q) = d(Q) - \frac{1}{2}l(Q)$  and  $l(2Q) = 2l(Q)$ , an elementary calculation shows that

$$(4.4) \quad \frac{|2Q|}{|Q|} \leq 8,$$

for every proper dyadic rectangle  $Q$  in the unit disk. We will show that this doubling property extends to the weighted measures  $A_\alpha$ . We first prove two elementary lemmas.

LEMMA 4.7. *For every dyadic rectangle in the unit disk other than  $\mathbb{D}$  the following inequalities hold:*

$$\frac{1}{2}(1 - |z_Q|) < 1 - |z_{2Q}| < \frac{3}{2}(1 - |z_Q|).$$

*Proof.* If  $2Q$  is closer to the unit circle, as in Figure 3, then

$$1 - |z_Q| = 1 - |z_{2Q}| + \frac{1}{2}l(Q).$$

Clearly  $1 - |z_{2Q}| < 1 - |z_Q|$ . Since  $l(Q) < 1 - |z_Q|$  we also have

$$1 - |z_{2Q}| = 1 - |z_Q| - \frac{1}{2}l(Q) > 1 - |z_Q| - \frac{1}{2}(1 - |z_Q|) = \frac{1}{2}(1 - |z_Q|).$$

Thus

$$\frac{1}{2}(1 - |z_Q|) < 1 - |z_{2Q}| < 1 - |z_Q|.$$

If  $d(2Q) = d(Q)$ , as in Figure 4, then

$$1 - |z_{2Q}| = 1 - |z_Q| + \frac{1}{2}\ell(Q).$$

Clearly  $1 - |z_{2Q}| > 1 - |z_Q|$ . Since  $\ell(Q) < 1 - |z_Q|$  we also have

$$1 - |z_{2Q}| = 1 - |z_Q| + \frac{1}{2}\ell(Q) < 1 - |z_Q| + \frac{1}{2}(1 - |z_Q|) = \frac{3}{2}(1 - |z_Q|).$$

Thus, we have the following that completes the proof:

$$(1 - |z_Q|) < 1 - |z_{2Q}| < \frac{3}{2}(1 - |z_Q|). \quad \blacksquare$$

That the functions  $(1 - |z|^2)^\alpha$  are approximately constant on pseudohyperbolic disks is well known. The following lemma gives concrete bounds.

LEMMA 4.8. *Let  $w \in \mathbb{D}$ ,  $0 < r < 1$ , and let  $\alpha$  be a real number. Then, for all  $z \in D(w, r)$ ,*

$$\left(\frac{1-r}{1+r}\right)^{|\alpha|} (1 - |w|^2)^\alpha \leq (1 - |z|^2)^\alpha \leq \left(\frac{1+r}{1-r}\right)^{|\alpha|} (1 - |w|^2)^\alpha.$$

This lemma is easily proved using (2.2) and standard estimates.

The following proposition shows that the doubling property (4.4) extends to the weighted cases.

PROPOSITION 4.9. *If  $-1 < \alpha < \infty$ , then there exists a constant  $N_\alpha < \infty$  such that*

$$\frac{A_\alpha(2Q)}{A_\alpha(Q)} \leq N_\alpha$$

for every dyadic rectangle  $Q$  in the unit disk which is not equal to  $\mathbb{D}$ .

*Proof.* Let  $Q$  be a dyadic rectangle other than  $\mathbb{D} = Q_{0,1,1}$ , and let  $2Q$  denote its double. There are three cases to consider.

*Case 1.*  $d(2Q) > 0$ . By Proposition 4.4 we have  $2Q \subset D(z_{2Q}, R)$ . Using Lemma 4.8 we get

$$\begin{aligned} A_\alpha(2Q) &= (\alpha+1) \int_{2Q} (1 - |z|^2)^\alpha dA(z) \leq (\alpha+1) \left(\frac{1+R}{1-R}\right)^{|\alpha|} (1 - |z_{2Q}|^2)^\alpha \int_{2Q} dA(z) \\ &= (\alpha+1) \left(\frac{1+R}{1-R}\right)^{|\alpha|} (1 - |z_{2Q}|^2)^\alpha |2Q|. \end{aligned}$$

Since also  $d(Q) > 0$  we also have  $A_\alpha(Q) \geq (\alpha+1) \left(\frac{1-R}{1+R}\right)^{|\alpha|} (1 - |z_Q|^2)^\alpha |Q|$ . Thus

$$\frac{A_\alpha(2Q)}{A_\alpha(Q)} \leq \left(\frac{1+R}{1-R}\right)^{2|\alpha|} \frac{(1 - |z_{2Q}|^2)^\alpha |2Q|}{(1 - |z_Q|^2)^\alpha |Q|},$$

and that this is bounded above follows from (4.4) as well as Lemma 4.7.

Case 2.  $d(2Q) = 0$  and  $d(Q) > 0$ . By the Proposition 4.4,  $Q \subset D(z_Q, R)$ . Then  $A_\alpha(Q) \geq (\alpha + 1) \left(\frac{1-R}{1+R}\right)^{|\alpha|} (1 - |z_Q|^2)^\alpha |Q|$ . Since  $Q$  is near the boundary,  $|z_Q| \geq \frac{1}{4}$ , and it follows from formula (4.2) that  $|Q| \geq (1 - |z_Q|^2)^2$ , thus

$$A_\alpha(Q) \geq (\alpha + 1) \left(\frac{1-R}{1+R}\right)^{|\alpha|} (1 - |z_Q|^2)^{\alpha+2}.$$

By (4.3)

$$A_\alpha(2Q) = 4^{1+\alpha} |z_{2Q}|^{1+\alpha} (1 - |z_{2Q}|)^{\alpha+2} \leq 4^{1+\alpha} (1 - |z_{2Q}|)^{\alpha+2}.$$

Combining the last inequalities we have the next which is bounded by Lemma 4.7:

$$\frac{A_\alpha(2Q)}{A_\alpha(Q)} \leq \frac{4^{\alpha+1}}{\alpha + 1} \left(\frac{1+R}{1-R}\right)^{|\alpha|} \left(\frac{1 - |z_{2Q}|}{1 - |z_Q|}\right)^{2+\alpha}.$$

Case 3.  $d(2Q) = 0$  and  $d(Q) = 0$ . In this case, by (4.3)

$$A_\alpha(Q) = 4^{1+\alpha} |z_Q|^{1+\alpha} (1 - |z_Q|)^{2+\alpha} \geq (1 - |z_Q|)^{2+\alpha}$$

(since  $|z_Q| \geq \frac{1}{2}$ ). Hence

$$\frac{A_\alpha(2Q)}{A_\alpha(Q)} \leq 4^{1+\alpha} \left(\frac{1 - |z_{2Q}|}{1 - |z_Q|}\right)^{2+\alpha},$$

which is bounded by Lemma 4.7. This proves the doubling property. ■

The following theorem should be compared with Lemma 1 in Section IV.3 (p. 150) of Stein’s book [13].

**THEOREM 4.10 (Calderon-Zygmund Decomposition Theorem).** *Let  $-1 < \alpha < \infty$  and let  $f$  be locally integrable on  $\mathbb{D}$ , let  $t > 0$ , and suppose that  $\Omega = \{z \in \mathbb{D} : \mathcal{M}_\alpha f(z) > t\}$  is not equal to  $\mathbb{D}$ . Then  $\Omega$  may be written as the disjoint union of dyadic rectangles  $\{Q_j\}$  with*

$$t < \frac{1}{A_\alpha(Q_j)} \int_{Q_j} |f| dA_\alpha < N_\alpha t,$$

where  $N_\alpha$  is as in Proposition 4.9.

*Proof.* Suppose that  $w \in \Omega$ , that is,  $\mathcal{M}_\alpha f(w) > t$ . Then there exists a dyadic rectangle  $Q$  containing  $w$  such that

$$\frac{1}{A_\alpha(Q)} \int_Q |f| dA_\alpha > t.$$

Now, if  $z \in Q$ , then

$$\mathcal{M}_\alpha f(z) \geq \frac{1}{A_\alpha(Q)} \int_Q |f| dA_\alpha > t,$$

and it follows  $z \in \Omega$ . This proves that  $Q \subset \Omega$ . It follows that  $\Omega = \bigcup_j Q_j$ . We may assume that the  $Q_j$  are maximal dyadic rectangles. Since  $Q = Q_j$  is not equal to  $\mathbb{D}$ , by maximality its double  $2Q$  is not contained in  $\Omega$ . This means that  $2Q$  contains a point  $z$  which is not in  $\Omega$ . Since  $\mathcal{M}_\alpha f(z) \leq t$ , we obtain  $\frac{1}{A_\alpha(2Q)} \int_{2Q} |f| dA_\alpha \leq \mathcal{M}_\alpha f(z) \leq t$ , and hence

$$\int_Q |f| dA_\alpha \leq \int_{2Q} |f| dA_\alpha \leq t A_\alpha(2Q).$$

It follows that:

$$\frac{1}{A_\alpha(Q)} \int_Q |f| dA_\alpha \leq t \frac{A_\alpha(2Q)}{A_\alpha(Q)} \leq N_\alpha t. \quad \blacksquare$$

Before we prove the reversed Hölder inequality (Theorem 4.1), we need one more preliminary result for the dyadic maximal function:

PROPOSITION 4.11. *If  $f \in A_\alpha^2$ , then:*

- (i)  $|f|^2 \leq \mathcal{M}_\alpha |f|^2$  on  $\mathbb{D}$ , and
- (ii)  $\|f\|_\alpha^2 \leq \mathcal{M}_\alpha |f|^2(0) \leq (\frac{4}{3})^{2+\alpha} \|f\|_\alpha^2$ .

*Proof.* (i) In fact, we will prove that if  $g$  is continuous on  $\mathbb{D}$ , then  $|g(w)| \leq \mathcal{M}_\alpha g(w)$  for every  $w \in \mathbb{D}$ . Fix  $w \in \mathbb{D}$ . Let  $Q_0$  be any dyadic rectangle containing  $w$  such that  $\overline{Q_0} \subset \mathbb{D}$ . Since the function  $g$  is uniformly continuous on  $Q_0$ , given  $\varepsilon > 0$ , there is a  $\delta > 0$  such that  $|g(z) - g(w)| < \varepsilon$  whenever  $z, w \in Q_0$  are such that  $|z - w| < \delta$ . If necessary, subdividing  $Q_0$  a number of times, there exists a dyadic rectangle  $Q$  containing  $w$  with diameter less than  $\delta$ . Then  $|g(w)| \leq |g(z)| + |g(w) - g(z)| \leq |g(z)| + \varepsilon$  for all  $z \in Q$ . This implies that

$$|g(w)| \leq \frac{1}{A_\alpha(Q)} \int_Q |g(z)| dA_\alpha(z) + \varepsilon \leq \mathcal{M}_\alpha g(w) + \varepsilon.$$

This implies the desired inequality

$$|g(w)| \leq \mathcal{M}_\alpha g(w).$$

(ii) Since  $\mathbb{D}$  is a dyadic rectangle and  $A_\alpha$  is a probability measure, we have

$$\mathcal{M}_\alpha |f|^2(0) \geq \frac{1}{A_\alpha(\mathbb{D})} \int_{\mathbb{D}} |f|^2 dA_\alpha = \|f\|_\alpha^2.$$

Suppose  $f \in A_\alpha^2$ . If  $Q$  is a dyadic rectangle other than  $\mathbb{D}$  containing 0, then  $Q \subset D(0, 1/2)$ . Then for each  $z$  in the unit disk,  $f(z) = \langle f, K_z^{(\alpha)} \rangle_\alpha$  and the inequality of Cauchy-Schwarz imply

$$|f(z)|^2 \leq \|f\|_\alpha^2 \|K_z^{(\alpha)}\|_\alpha^2 = \frac{1}{(1 - |z|^2)^{2+\alpha}} \|f\|_\alpha^2 \leq (\frac{4}{3})^{2+\alpha} \|f\|_\alpha^2,$$

for all  $z \in D(0, 1/2)$ . Since  $Q \subset D(0, 1/2)$  it follows that

$$\frac{1}{A_\alpha(Q)} \int_Q |f|^2 dA_\alpha \leq \left(\frac{4}{3}\right)^{2+\alpha} \|f\|_\alpha^2.$$

We conclude that

$$\|f\|_\alpha^2 \leq \mathcal{M}_\alpha |f|^2(0) \leq \left(\frac{4}{3}\right)^{2+\alpha} \|f\|_\alpha^2. \quad \blacksquare$$

We are now ready to prove the reversed Hölder inequality in Theorem 4.1.

*Proof of Theorem 4.1.* First we prove that for some constant  $C_M > 0$ ,

$$\int_{\mathbb{D}} |f|^{2+\varepsilon} dA_\alpha \leq C_M \left( \int_{\mathbb{D}} |f|^2 dA_\alpha \right)^{(2+\varepsilon)/2}.$$

Let  $m$  be a positive integer such that the constant  $N_\alpha$  of Proposition 4.9 satisfies  $N_\alpha \leq 2^{m-1}$ . For each integer  $k \geq 0$ , set

$$E_k = \{z \in \mathbb{D} : \mathcal{M}_\alpha |f|^2(z) > 2^{mk+\alpha} \|f\|_\alpha^2\}.$$

By Proposition 4.11 (ii) we have  $\mathcal{M}_\alpha |f|^2(0) \leq \left(\frac{4}{3}\right)^{2+\alpha} \|f\|_\alpha^2 \leq 2^{mk+\alpha} \|f\|_\alpha^2$ , for every positive integer  $k$ , so the set  $E_k$  does not contain 0. Fix  $k \geq 1$ . By the Calderon-Zygmund Decomposition Theorem,  $E_k = \bigcup_j Q_j$ , where  $Q_j$  are disjoint dyadic rectangles in  $E_k$  that satisfy

$$2^{mk+\alpha} \|f\|_\alpha^2 < \frac{1}{A_\alpha(Q_j)} \int_{Q_j} |f| dA_\alpha < 2^{mk+\alpha} N_\alpha \|f\|_\alpha^2,$$

thus

$$A_\alpha(Q_j) \leq 2^{-mk-\alpha} \|f\|_\alpha^{-2} \int_{Q_j} |f| dA_\alpha \quad \text{and} \quad \int_{Q_j} |f| dA_\alpha < 2^{mk+\alpha} N_\alpha \|f\|_\alpha^2 A_\alpha(Q_j).$$

Let  $Q$  be a maximal dyadic rectangle in  $E_{k-1}$ . Summing over all such  $Q_j \subset Q$  gives that

$$A_\alpha(E_k \cap Q) = \sum_{j: Q_j \subset Q} A_\alpha(Q_j) \leq 2^{-mk-\alpha} \|f\|_\alpha^{-2} \int_Q |f|^2 dA_\alpha,$$

since the  $Q_j$  are disjoint and their union is  $E_k$ . On the other hand, by maximality the double  $2Q$  is not contained in  $E_{k-1}$ , and as in the proof of the Calderon-Zygmund Decomposition Theorem it follows that

$$\int_Q |f|^2 dA_\alpha \leq 2^{m(k-1)+\alpha} N_\alpha \|f\|_\alpha^2 A_\alpha(Q) \leq 2^{m(k-1)+\alpha} 2^{m-1} \|f\|_\alpha^2 A_\alpha(Q) = 2^{mk+\alpha-1} \|f\|_\alpha^2 A_\alpha(Q).$$

Hence

$$A_\alpha(E_k \cap Q) \leq \frac{1}{2} A_\alpha(Q).$$



Now by Lemma 4.6 there exists a  $0 < \delta < 1$  such that

$$\mu_\alpha(E_k \cap Q) \leq \delta \mu_\alpha(Q),$$

where  $d\mu_\alpha = |f|^2 dA_\alpha$ . Taking the union over all maximal dyadic rectangles  $Q$  in  $E_{k-1}$  gives  $\mu_\alpha(E_k) \leq \delta \mu_\alpha(E_{k-1})$ , and therefore

$$\mu_\alpha(E_k) \leq \delta^k \mu_\alpha(E_0) \leq \delta^k \|f\|_\alpha^2.$$

Now, using Proposition 4.11, we have

$$\begin{aligned} & \int_{\mathbb{D}} |f|^{2+\varepsilon} dA_\alpha \\ & \leq \int_{\mathbb{D}} (\mathcal{M}_\alpha |f|^2)^{\varepsilon/2} |f|^2 dA_\alpha = \int_{\{\mathcal{M}_\alpha |f|^2 \leq 2^\alpha \|f\|_\alpha^2\}} (\mathcal{M}_\alpha |f|^2)^{\varepsilon/2} |f|^2 dA_\alpha + \sum_{k=0}^{\infty} \int_{E_k \setminus E_{k+1}} (\mathcal{M}_\alpha |f|^2)^{\varepsilon/2} |f|^2 dA_\alpha \\ & \leq 2^\alpha \|f\|_\alpha^\varepsilon \|f\|_\alpha^2 + \sum_{k=0}^{\infty} 2^{(m(k+1)+\alpha)\varepsilon/2} \|f\|_\alpha^\varepsilon \mu_\alpha(E_k) \leq 2^\alpha \|f\|_\alpha^{2+\varepsilon} + \sum_{k=0}^{\infty} 2^{(m(k+1)+\alpha)\varepsilon/2} \delta^k \|f\|_\alpha^{2+\varepsilon} \\ & \leq 2^\alpha \|f\|_\alpha^{2+\varepsilon} + 2^{(m+\alpha)\varepsilon/2} \|f\|_\alpha^{2+\varepsilon} \sum_{k=0}^{\infty} (2^{m\varepsilon/2} \delta)^k = \left( 2^\alpha + \frac{2^{(m+\alpha)\varepsilon/2}}{1 - 2^{m\varepsilon/2} \delta} \right) \|f\|_\alpha^{2+\varepsilon}, \end{aligned}$$

if  $2^{m\varepsilon/2} \delta < 1$ . Put  $\varepsilon_M = \frac{2 \ln(1/(1+\delta))}{m \ln 2}$ . If  $0 < \varepsilon < \varepsilon_M$ , then  $2^{m\varepsilon/2} \delta < \frac{1}{1+\delta}$ , thus  $\frac{2^{m\varepsilon/2}}{1 - 2^{m\varepsilon/2} \delta} < 1$ . So, if  $C_M = 2^\alpha + 2^{\alpha\varepsilon_M/2}$ , then for  $0 < \varepsilon < \varepsilon_M$  we have shown that

$$\int_{\mathbb{D}} |f|^{2+\varepsilon} dA_\alpha \leq C_M \left( \int_{\mathbb{D}} |f|^2 dA_\alpha \right)^{(2+\varepsilon)/2}.$$

For a fixed  $w \in \mathbb{D}$ , by Möbius-invariance of the Berezin transform we also have

$$M_\alpha = \sup_{z \in \mathbb{D}} B_\alpha[|f \circ \varphi_w|^2](z) B_\alpha[|f \circ \varphi_w|^{-2}](z).$$

Applying the above argument to the function  $|f \circ \varphi_w|^2$  we obtain

$$\int_{\mathbb{D}} |f \circ \varphi_w|^{2+\varepsilon} dA_\alpha \leq C_M \left( \int_{\mathbb{D}} |f \circ \varphi_w|^2 dA_\alpha \right)^{(2+\varepsilon)/2},$$

that is,

$$B_\alpha[|f|^{2+\varepsilon}](w) \leq C_M (B_\alpha[|f|^2](w))^{(2+\varepsilon)/2}. \quad \blacksquare$$

Note that Theorem 4.1 combined with Theorem 1.2 give a proof of Theorem 1.3.

*Proof of Theorem 1.3.* If  $f \in A_\alpha^2$  satisfies the condition

$$\sup_{w \in \mathbb{D}} B_\alpha[|f|^2](w) B_\alpha[|f|^{-2}](w) < \infty,$$

then by the reversed Hölder inequality of Theorem 4.1, for some  $\varepsilon > 0$ ,

$$\sup_{w \in \mathbb{D}} B_\alpha[|f|^{2+\varepsilon}](w) B_\alpha[|f|^{-(2+\varepsilon)}](w) < \infty,$$

for all  $w \in \mathbb{D}$ . By Theorem 1.2,  $T_f T_{1/\bar{f}}$  is bounded on  $A_\alpha^2$ . ■

5. INVERTIBLE TOEPLITZ PRODUCTS

In this section we will completely characterize the bounded Fredholm Toeplitz products  $T_f T_{\bar{g}}$  on the weighted Bergman space  $A_\alpha^2$ . We have the following result:

**THEOREM 5.1.** *Let  $-1 < \alpha < \infty$  and let  $f, g \in A_\alpha^2$ . Then:  $T_f T_{\bar{g}}$  is bounded and invertible on  $A_\alpha^2$  if and only if  $\sup\{B_\alpha[|f|^2](w)B_\alpha[|g|^2](w) : w \in \mathbb{D}\} < \infty$  and  $\inf\{|f(w)||g(w)| : w \in \mathbb{D}\} > 0$ .*

*Proof.* “ $\implies$ ” Suppose that  $T_f T_{\bar{g}}$  is bounded and invertible on  $A_\alpha^2$ . By Theorem 1.1 there exists a constant  $M$  such that

$$(5.1) \quad B_\alpha[|f|^2](w)B_\alpha[|g|^2](w) \leq M,$$

for all  $w \in \mathbb{D}$ . Note that  $T_f T_{\bar{g}} k_w = \overline{g(w)} f k_w^{(\alpha)}$ . Thus

$$\|T_f T_{\bar{g}} k_w^{(\alpha)}\|_2^2 = |g(w)|^2 \|f k_w^{(\alpha)}\|_2^2 = |g(w)|^2 B_\alpha[|f|^2](w),$$

so the invertibility of  $T_f T_{\bar{g}}$  yields

$$(5.2) \quad |g(w)|^2 B_\alpha[|f|^2](w) \geq \delta_1 > 0$$

for some constant  $\delta_1$  and for all  $w \in \mathbb{D}$ . Since also  $T_g T_{\bar{f}} = (T_f T_{\bar{g}})^*$  is bounded and invertible, there also is a constant  $\delta_2$  such that

$$(5.3) \quad |f(w)|^2 B_\alpha[|g|^2](w) \geq \delta_2 > 0$$

for all  $w \in \mathbb{D}$ . Putting  $\delta = \delta_1 \delta_2$ , it follows from (5.1), (5.2) and (5.3) that for all  $w \in \mathbb{D}$

$$\delta \leq |f(w)|^2 |g(w)|^2 B_\alpha[|f|^2](w) B_\alpha[|g|^2](w) \leq M |f(w)|^2 |g(w)|^2,$$

and thus

$$|f(w)||g(w)| \geq \frac{\delta^{1/2}}{M^{1/2}}.$$

“ $\impliedby$ ” Suppose that

$$M = \sup\{B_\alpha[|f|^2](w)B_\alpha[|g|^2](w) : w \in \mathbb{D}\} < \infty \text{ and } \eta = \inf\{|f(w)||g(w)| : w \in \mathbb{D}\} > 0.$$

By the inequality of Cauchy-Schwarz,

$$|f(w)|^2 \leq B_\alpha[|f|^2](w),$$

thus  $|f(w)||g(w)| \leq M^{1/2}$ , for all  $w \in \mathbb{D}$ . So,  $fg$  is a bounded function on  $\mathbb{D}$ . Note that  $f$  and  $g$  cannot have zeros in  $\mathbb{D}$ . Since  $|g(z)|^2 \geq \eta^2 |f(z)|^{-2}$ , for all  $z \in \mathbb{D}$ , we have  $B_\alpha[|g|^2](w) \geq \eta^2 B_\alpha[|f|^{-2}](w)$ , for all  $w \in \mathbb{D}$ . Consequently

$$M \geq B_\alpha[|f|^2](w)B_\alpha[|g|^2](w) \geq \eta^2 B_\alpha[|f|^2](w)B_\alpha[|f|^{-2}](w),$$

so that

$$B_\alpha[|f|^2](w)B_\alpha[|f|^{-2}](w) \leq \frac{M}{\eta^2},$$

for all  $w \in \mathbb{D}$ . This means that  $f$  satisfies the  $(M_2)$  condition. By Theorem 1.3 the Toeplitz product  $T_f T_{\overline{1/f}}$  is bounded on  $A_\alpha^2$ . Since  $fg$  is bounded on  $\mathbb{D}$ , the operator  $T_{\overline{fg}}$  is bounded on  $A_\alpha^2$ . It follows that  $T_f T_{\overline{g}} = T_f T_{\overline{1/f}} T_{\overline{fg}}$  is bounded on  $A_\alpha^2$ .

The function  $\psi = \frac{1}{f\overline{g}}$  is bounded on  $\mathbb{D}$ , so the operator  $T_\psi$  is bounded on  $A_\alpha^2$ . Using that

$$T_f T_{\overline{g}} T_\psi = I = T_\psi T_f T_{\overline{g}},$$

we conclude that  $T_f T_{\overline{g}}$  is invertible on  $A_\alpha^2$ . ■

6. FREDHOLM TOEPLITZ PRODUCTS

In this section we will completely characterize the bounded invertible Toeplitz products  $T_f T_{\overline{g}}$  on  $A_\alpha^2$ . We have the following result:

**THEOREM 6.1.** *Let  $-1 < \alpha < \infty$  and let  $f$  and  $g$  be in  $A_\alpha^2$ . Then:  $T_f T_{\overline{g}}$  is a bounded Fredholm operator on  $A_\alpha^2$  if and only if  $B_\alpha[|f|^2]B_\alpha[|g|^2]$  is bounded on  $\mathbb{D}$  and the function  $|f||g|$  is bounded away from zero near  $\partial\mathbb{D}$ .*

The latter condition simply means that there exists a number  $r$  with  $0 < r < 1$  such that  $\inf\{|f(z)||g(z)| : r < |z| < 1\} > 0$ .

In the proof of the above theorem we will need the following lemma.

**LEMMA 6.2.** *Let  $-1 < \alpha < \infty$ . Suppose that  $f \in A_\alpha^2$  has a finite number of zeros. Let  $b$  denote the Blaschke product of the zeros of  $f$  and  $F = \frac{f}{b}$ . Then there exists a constant  $C_\alpha$ , only depending on  $\alpha$ , such that for all  $w$  in  $\mathbb{D}$*

$$B_\alpha[|F|^2](w) \leq C_\alpha B_\alpha[|f|^2](w).$$

*Proof.* Choose  $0 < R < 1$  so that  $|b(z)| > \frac{1}{\sqrt{2}}$ , for all  $R < |z| < 1$ . Suppose  $w \in \mathbb{D}$ . Then

$$\begin{aligned} B_\alpha[|f|^2](w) &= \int_{\mathbb{D}} |f(\varphi_w(z))|^2 dA_\alpha(z) = \int_{\mathbb{D}} |b(\varphi_w(z))|^2 |F(\varphi_w(z))|^2 dA_\alpha(z) \\ &\geq \frac{1}{2} \int_{R < |\varphi_w(z)| < 1} |F(\varphi_w(z))|^2 dA_\alpha(z). \end{aligned}$$

By a change of variable,

$$\int_{R < |\varphi_w(z)| < 1} |F(\varphi_w(z))|^2 dA_\alpha(z) = \int_{R < |z| < 1} |F(z)|^2 \frac{(1 - |w|^2)^{2+\alpha}}{|1 - \overline{w}z|^{4+2\alpha}} dA_\alpha(z).$$

Now, if  $h$  is analytic on  $\mathbb{D}$ , then

$$(6.1) \quad \int_{\mathbb{D}} |h(z)|^2 dA_\alpha(z) \leq \frac{\alpha + 1}{(1 - R^2)^{\alpha+1}} \int_{R < |z| < 1} |h(z)|^2 dA_\alpha(z).$$

It is enough to prove inequality (6.1) for monomials  $h(z) = z^n$ . Integration by parts shows that

$$\begin{aligned} \int_{R < |z| < 1} |z|^{2n} dA_\alpha(z) &= \int_{R^2}^1 x^n (1 - x)^\alpha dx = \frac{R^{2n} (1 - R^2)^{\alpha+1}}{\alpha + 1} + \frac{n}{\alpha + 1} \int_{R^2}^1 x^{n-1} (1 - x)^{\alpha+1} dx \\ &\geq \frac{R^{2n} (1 - R^2)^{\alpha+1}}{\alpha + 1}. \end{aligned}$$

On the other hand,

$$\begin{aligned} \int_{|z| \leq R} |z|^{2n} dA_\alpha(z) &\leq R^{2n} \left\{ 1 - \frac{(1 - R^2)^{\alpha+1}}{\alpha + 1} \right\} = \frac{R^{2n} (1 - R^2)^{\alpha+1}}{\alpha + 1} \left\{ \frac{\alpha + 1}{(1 - R^2)^{\alpha+1}} - 1 \right\} \\ &\leq \left\{ \frac{\alpha + 1}{(1 - R^2)^{\alpha+1}} - 1 \right\} \int_{R < |z| < 1} |z|^{2n} dA_\alpha(z). \end{aligned}$$

Thus, we have the following, proving inequality (6.1):

$$\int_{\mathbb{D}} |z|^{2n} dA_\alpha(z) = \int_{|z| \leq R} |z|^{2n} dA_\alpha(z) + \int_{R < |z| < 1} |z|^{2n} dA_\alpha(z) \leq \frac{\alpha + 1}{(1 - R^2)^{\alpha+1}} \int_{R < |z| < 1} |z|^{2n} dA_\alpha(z).$$

Applying the above estimate to the function

$$h(z) = F(z) \frac{(1 - |w|^2)^{1+\alpha/2}}{(1 - \bar{w}z)^{2+\alpha}},$$

we see that

$$\begin{aligned} &\int_{R < |z| < 1} |F(z)|^2 \frac{(1 - |w|^2)^{2+\alpha}}{|1 - \bar{w}z|^{4+\alpha}} dA_\alpha(z) \\ &\geq \frac{(1 - R^2)^{\alpha+1}}{\alpha + 1} \int_{\mathbb{D}} |F(z)|^2 \frac{(1 - |w|^2)^{2+\alpha}}{|1 - \bar{w}z|^{4+\alpha}} dA_\alpha(z) \geq \frac{(1 - R^2)^{\alpha+1}}{\alpha + 1} B_\alpha[|F|^2](w). \end{aligned}$$

Thus  $B_\alpha[|f|^2](w) \geq \frac{1}{2} \frac{(1 - R^2)^{\alpha+1}}{\alpha + 1} B_\alpha[|F|^2](w)$ , so that

$$B_\alpha[|F|^2](w) \leq C_\alpha B_\alpha[|f|^2](w),$$

with  $C_\alpha = \frac{2(\alpha+1)}{(1 - R^2)^{\alpha+1}}$ , for all  $w \in \mathbb{D}$ . ■

*Proof of Theorem 6.1.* “ $\implies$ ” If  $T_f T_{\bar{g}}$  is bounded on  $A_\alpha^2$ , then there is an  $M$  such that  $B_\alpha[|f|^2]B_\alpha[|g|^2] \leq M$  on  $\mathbb{D}$ . If  $T_f T_{\bar{g}}$  is Fredholm, then  $T_f T_{\bar{g}} + \mathcal{K}$  is invertible in the Calkin algebra. Thus there exist a bounded operator  $V$  and a compact operator  $S$  such that

$$VT_f T_{\bar{g}} = I + S.$$

Using that  $T_f T_{\bar{g}} k_w^{(\alpha)} = \overline{g(w)} f k_w^{(\alpha)}$  we have

$$\begin{aligned} \|V\| \|g(w)|B_\alpha[|f|^2](w)\|^{1/2} &= \|V\| \|T_f T_{\bar{g}} k_w^{(\alpha)}\|_\alpha \geq \|VT_f T_{\bar{g}} k_w^{(\alpha)}\|_\alpha \\ &\geq \|k_w^{(\alpha)}\|_\alpha - \|S k_w^{(\alpha)}\|_\alpha = 1 - \|S k_w^{(\alpha)}\|_\alpha. \end{aligned}$$

Since  $S$  is compact on  $A_\alpha^2$  and  $k_w^{(\alpha)} \rightarrow 0$  weakly on  $A_\alpha^2$ , we have  $\|S k_w^{(\alpha)}\|_\alpha \rightarrow 0$  as  $|w| \rightarrow 1^-$ , so there exists an  $0 < r_1 < 1$  such that  $\|S k_w^{(\alpha)}\|_\alpha < \frac{1}{2}$ , for all  $r_1 < |w| < 1$ . The above inequality shows that

$$|g(w)|^2 B_\alpha[|f|^2](w) \geq M_1 (= \frac{1}{2} \|V\|^{-1}),$$

for all  $r_1 < |w| < 1$ . Since also  $T_g T_{\bar{f}} = (T_f T_{\bar{g}})^*$  is Fredholm, there is a positive constant  $M_2$  and a number  $r_2$  with  $0 < r_2 < 1$  such that

$$|f(w)|^2 B_\alpha[|g|^2](w) \geq M_2,$$

for all  $r_2 < |w| < 1$ . Thus  $M_1 M_2 \leq |f(z)|^2 |g(z)|^2 B_\alpha[|f|^2](z) B_\alpha[|g|^2](z) \leq M |f(z)|^2 |g(z)|^2$ , and hence for all  $\max\{r_1, r_2\} < |z| < 1$

$$|f(z)|^2 |g(z)|^2 \geq \frac{M_1 M_2}{M}.$$

“ $\impliedby$ ” Suppose that

$$(*) \quad |f(z)| |g(z)| \geq \delta > 0,$$

for all  $0 < r < |z| < 1$ . Inequality (\*) implies that  $f$  and  $g$  have no zeros in the annulus  $\{z : r < |z| < 1\}$ . Let  $b_1$  and  $b_2$  denote the (finite) Blaschke products of the zeros of  $f$  and  $g$  respectively. Then  $F = \frac{f}{b_1}$  and  $G = \frac{g}{b_2}$  are zero free, and by (\*) we have

$$|F(z)| |G(z)| \geq \delta |b_1(z)| |b_2(z)|,$$

for all  $r < |z| < 1$ . The function on the right is positive and continuous on annulus  $\{z : \frac{1}{2}(1+r) \leq |z| \leq 1\}$ , thus has a positive minimum. So putting  $\rho = \frac{1}{2}(1+r)$ , we have  $|F(z)| |G(z)| \geq \eta'$ , for all  $\rho < |z| < 1$ . Then  $|G(z)| \geq \eta' |F(z)|^{-1}$ , for all  $\rho < |z| < 1$ . Note that  $\eta'' = \inf\{|F(z)| |G(z)| : |z| \leq \rho\} > 0$ . If we take  $\eta = \min\{\eta', \eta''\}$ , then  $|G(z)| \geq \eta |F(z)|^{-1}$ , for all  $z \in \mathbb{D}$ . By Lemma 6.2 we have for all  $z \in \mathbb{D}$

$$B_\alpha[|F|^2](z) \leq C_\alpha B_\alpha[|f|^2](z) \quad \text{and} \quad B_\alpha[|G|^2](z) \leq C_\alpha B_\alpha[|g|^2](z).$$

Thus  $B_\alpha[|F|^2](z) B_\alpha[|G|^2](z) \leq M'$ , for all  $z \in \mathbb{D}$ . As before we conclude that

$$B_\alpha[|F|^2](z) B_\alpha[|F|^{-2}](z) \leq \frac{M'}{\eta^2},$$

for all  $z \in \mathbb{D}$ , so  $F$  satisfies condition  $(M_2)$ . By Theorem 1.3 the Toeplitz product  $T_F T_{1/\bar{F}}$  is bounded. As in the proof of Theorem 5.1 it follows that  $T_F T_{\bar{G}}$  is bounded. This implies that the following operator is bounded:

$$T_f T_{\bar{g}} = T_{b_1} T_F T_{\bar{G}} T_{\bar{b}_2}.$$

Since  $\frac{1}{\bar{F}\bar{G}}$  is bounded, the Toeplitz operator  $T_{1/\bar{F}\bar{G}}$  is bounded, and it follows that  $T_F T_{\bar{G}}$  is invertible. Since  $T_{\bar{b}_2}$  is Fredholm, there is a bounded operator  $V_2$  on  $A_{\alpha}^2$  and a compact operator  $S_2$  on  $A_{\alpha}^2$  such that  $T_{\bar{b}_2} V_2 = I + S_2$ . It follows that  $T_f T_{\bar{g}} V_2 = T_{b_1} T_F T_{\bar{G}} + T_{b_1} T_F T_{\bar{G}} S_2$ , thus

$$T_f T_{\bar{g}} V_2 (T_F T_{\bar{G}})^{-1} = T_{b_1} + T_{b_1} T_F T_{\bar{G}} S_2 (T_F T_{\bar{G}})^{-1}.$$

Using that also  $T_{b_1}$  is Fredholm, there is a bounded operator  $V_1$  on  $A_{\alpha}^2$  and a compact operator  $S_1$  on  $A_{\alpha}^2$  such that  $T_{b_1} V_1 = I + S_1$ . Then

$$T_f T_{\bar{g}} V_2 (T_F T_{\bar{G}})^{-1} S_1 = I + S_1 + T_{b_1} T_F T_{\bar{G}} S_2 (T_F T_{\bar{G}})^{-1}.$$

Hence  $T_f T_{\bar{g}} + \mathcal{K}$  is right-invertible in the Calkin algebra. Similarly  $T_f T_{\bar{g}} + \mathcal{K}$  is left-invertible in the Calkin algebra, so that  $T_f T_{\bar{g}}$  is Fredholm. ■

*Acknowledgements.* The second author was partially supported by the NSF.

## REFERENCES

- [1] S. AXLER, D. ZHENG, Compact operators via the Berezin transform, *Indiana Univ. Math. J.* **47**(1998), 387–400.
- [2] R.R. COIFMAN, C. FEFFERMAN, Weighted norm inequalities for maximal functions and singular integrals, *Studia Math.* **51**(1974), 241–250.
- [3] D. CRUZ-URIBE, The invertibility of the product of unbounded Toeplitz operators, *Integral Equations Operator Theory* **20**(1994), 231–237.
- [4] J. DUOANDIKOETXEA, *Fourier Analysis*, Grad. Stud. Math., vol. 29, Amer. Math. Soc., Providence, RI 2000.
- [5] J. GARCIA-CUERVA, J.L. RUBIO DE FRANICA, *Weighted Norm Inequalities and Related Topics*, North Holland Math. Stud., vol. 116, North Holland, Amsterdam 1985.
- [6] J.B. GARNETT, *Bounded Analytic Functions*, Pure Appl. Math., vol. 96, Academic Press, New York-London 1981.
- [7] R. HUNT, B. MUCKENHOUPT, R. WHEEDEN, Weighted norm inequalities for the conjugate function and Hilbert transform, *Trans. Amer. Math. Soc.* **176**(1973), 227–252.
- [8] J.L. JOURNÉ, *Calderón-Zygmund Operators, Pseudo-Differential Operators and the Cauchy Integral of Calderón*, Lecture Notes in Math., vol. 994, Springer Verlag, New York 1983.
- [9] D. SARASON, Function theory on the unit circle, Virginia Polytechnic Inst. and State Univ., Blacksburg 1978.

- [10] D. SARASON, *Exposed Points in  $H^1$* . I, Oper. Theory Adv. Appl., vol. 41, Birkhauser Verlag, Basel 1989, pp. 485–496.
- [11] D. SARASON, *Exposed Points in  $H^1$* . II, Oper. Theory Adv. Appl., vol. 48, Birkhauser Verlag, Basel 1990, pp. 333–347.
- [12] D. SARASON, Products of Toeplitz operators, in *Linear and Complex Analysis Problem. Book 3, Part I, Lecture Notes in Math.*, vol. 1573, Springer-Verlag, Berlin 1994, pp. 318–319.
- [13] E.M. STEIN, *Harmonic Analysis: Real-Variable Methods, Orthogonality, and Oscillatory Integrals*, Princeton Math. Ser., vol. 43, Princeton Univ. Press, Princeton 1993.
- [14] K. STROETHOFF, The Berezin transform and operators on spaces of analytic functions, in *Linear Operators*, Banach Center Publ., vol. 38, Polish Acad. Sci., Warsaw 1997, pp. 361–380.
- [15] K. STROETHOFF, Algebraic properties of Toeplitz operators on the Hardy space via the Berezin transform, in *Function Spaces (Edwardsville, IL, 1998)*, Contemp. Math., vol. 232, Amer. Math. Soc., Providence, RI 1999, pp. 313–319.
- [16] K. STROETHOFF, D. ZHENG, Toeplitz and Hankel operators on Bergman spaces, *Trans. Amer. Math. Soc.* **329**(1992), 773–794.
- [17] K. STROETHOFF, D. ZHENG, Products of Hankel and Toeplitz operators on the Bergman space, *J. Funct. Anal.* **169**(1999), 289–313.
- [18] K. STROETHOFF, D. ZHENG, Invertible Toeplitz products, *J. Funct. Anal.* **195**(2002), 48–70.
- [19] K. STROETHOFF, D. ZHENG, Bounded Toeplitz products on the Bergman space of the polydisk, *J. Math. Anal. Appl.* **278**(2003), 125–135.
- [20] D. ZHENG, The distribution function inequality and products of Toeplitz operators and Hankel operators, *J. Funct. Anal.* **138**(1996), 477–501.
- [21] K.H. ZHU, *Operator Theory in Function Spaces*, Marcel Dekker, New York-Basel 1990.
- [22] K.H. ZHU, Translating inequalities between Hardy and Bergman spaces, *Amer. Math. Monthly* **111**(2004), 520–525.

KAREL STROETHOFF, DEPARTMENT OF MATHEMATICAL SCIENCES, UNIVERSITY OF MONTANA, MISSOULA, MONTANA 59812, U.S.A.

*E-mail address:* karel.stroethoff@umontana.edu

DECHAO ZHENG, MATHEMATICS DEPARTMENT, VANDERBILT UNIVERSITY, NASHVILLE, TENNESSEE 37240, U.S.A.

*E-mail address:* dechao.zheng@vanderbilt.edu

Received December 15, 2005.

ADDED IN PROOFS. After we submitted our paper, we were made aware of the following article which contains results similar to Theorems 1.1 and 1.2:

S. POTT, E. SROUSE, Product of Toeplitz operators on the Bergman spaces  $A_\alpha^2$  [Russian], *Algebra i Analiz* **18**(2006), 144–161; English *St. Petersburg Math. J.* **18**(2007), 105–118.